



4" & 6"

Encapsulated-resin filled Motors

50/60 Hz

The motor is 100%
tested before shipment.



STAIRS INDUSTRIAL CO., LTD.



4" Encapsulated-resin filled Motors

General Data

Model Code	1
Feature	1
Motor Data	1
Standard Voltage	2
Materials	2

Technical Data

Single Phase 2 Wire / 3 Wire (50Hz)	3
Three Phase (50Hz)	5
Single Phase 2 Wire / 3 Wire (60Hz)	7
Three Phase (60Hz)	9

Control Box

Single Phase (50Hz)	11
Single Phase (60Hz)	12

6" Encapsulated-resin filled Motors

General Data

Model Code	13
Feature	13
Motor Data	13
Standard Voltage	14
Materials	14

Technical Data

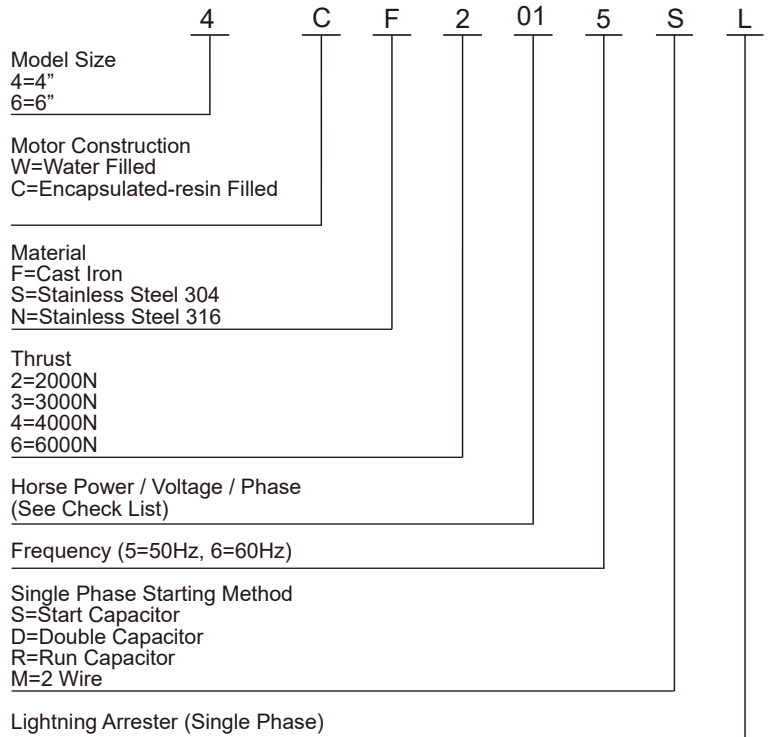
DOL (One Cable Only) Three Phase (50Hz)	15
Y-Δ (Two Cable) Three Phase (50Hz)	17
DOL (One Cable Only) Three Phase (60Hz)	19
Y-Δ (Two Cable) Three Phase (60Hz)	21

4" & 6" Encapsulated-resin filled Motors

Stairs' Encapsulated motor is developed with market expectation to meet the robust construction and stringent requirement, which is for 4" & 6" or larger well. The motor is 100% tested before shipment .



Model Code



Feature

- Hermetically sealed stator, anti-track, stator resin filled prevent motor burn out.
- High efficiency provides operation cost savings.
- Thrust pad.
- Copper wiring.
- Pressure equalizing diaphragm.
- Removable lead connector.
- Control boxes available for single phase motor.
- Standard NEMA mounting dimensions.
- Lightning arrester is available in option (Single phase).

Motor Data

- Upper bracket: Cataphoresis treated cast iron plus SS304 cover cap.
- Max. Immersion depth: 200m
- Protection: IP68
- Nos. of start per hour: max 20 at regular intervals.
- Sand slinger and lip seal.
- Insulation: Class F
- Rated ambient temperature: 30°C with min.
- Cooling flow 0.08 m/s of water flow speed.
- Standard installation position: vertical and horizontal.

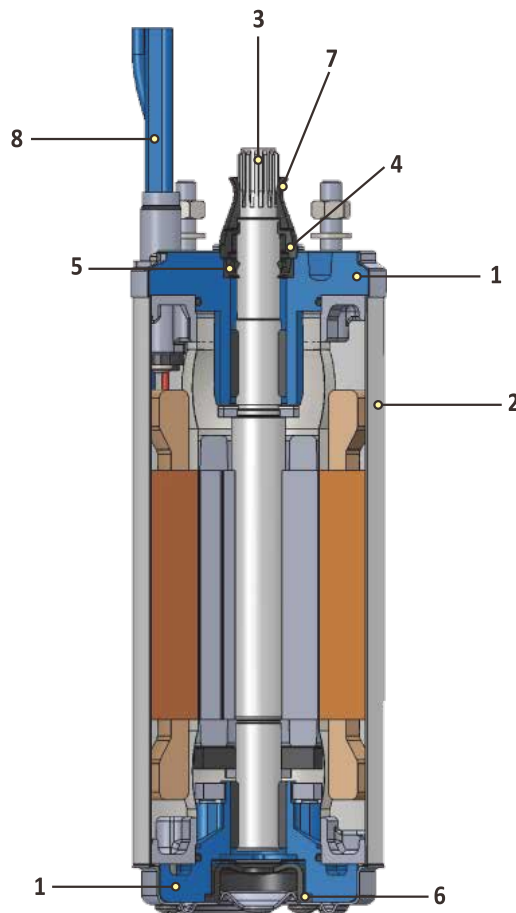
Motor Rating		Maximum Starts Per 24 hr Period	
HP	kW	Single Phase	Three-Phase
0.75HP and below	0.55kW and below	300	300
1HP- 5.5HP	0.75kW- 4kW	100	300
7.5HP- 30HP	5.5kW-22kW	50	100
40HP and above	30kW and above	-	100

Four-inch motors should run a minimum of one minute to avoid heat buildup from starting current, and Six-inch motors should have a minimum of 15 minutes.

Standard Voltage

50Hz	1Ø	0.5 - 5.0HP	0.37 - 3.7kW	220-240V
	3Ø	0.5 - 7.5HP	0.37 - 5.5kW	220-240V 380-415V
60Hz	1Ø	0.5HP	0.37kW	110-115V
		0.5HP - 5.0HP	0.37 - 3.7kW	220-230V
	3Ø	0.5 - 7.5HP	0.37 - 5.5kW	220-230V
				380-400V 460V

Materials



NO	Component	4CF	4CS	4CN
1	Upper / Lower Bracket	AISI 304 Over Iron	AISI 304	AISI 316
2	Stator Shell	AISI 304	AISI 304	AISI 316
3	Shaft	AISI 420	AISI 420	AISI 630
4	Seal Cover	Nylon	Nylon	Nylon
5	Lip Seal	NBR	NBR	NBR
6	Diaphragm	NBR	NBR	NBR
7	Sand Slinger	NBR	NBR	NBR
8	Lead Wire (Cable)	XLPE	XLPE	XLPE
	Bolts and Screws	AISI 304	AISI 304	AISI 316
	Lead Potting	Epoxy	Epoxy	Epoxy
	Thrust Pad	AISI 420	AISI 420	AISI 420

Specifications

Single Phase 2 Wire

Motor Type	P ₂		Voltage V	I _n A	I _{start} A	PF% COS φ	Efficiency%	N _n RPM	Thrust N	Capacitor UF
	HP	kW								
4CF2005M	0.5	0.37	220	3.2	13.9	0.92	57.2	2850	2000	16UF 450V
			230	3.3	14.7	0.88				
			240	3.4	15.4	0.84				
4CF2015M	0.75	0.55	220	5.0	20.0	0.85	57.7	2850	2000	20UF 450V
			230	5.3	21.0	0.78				
			240	5.9	21.8	0.73				
4CF3025M	1.0	0.75	220	6.7	23.2	0.84	60.5	2850	3000	25UF 450V
			230	6.5	24.2	0.83				
			240	6.3	25.2	0.83				
4CF3035M	1.5	1.1	220	7.6	31.5	0.93	70.0	2850	3000	35UF 450V
			230	7.9	32.1	0.89				
			240	8.5	33.3	0.85				

* Lightning arrester is available in option.

Single Phase 3 Wire

Motor Type	P ₂		Voltage V	I _n A	I _{start} A	PF% COS φ	Efficiency%	N _n RPM	Thrust N
	HP	kW							
4CF2005R	0.5	0.37	220	3.2	13.9	0.92	57.2	2850	2000
			230	3.3	14.7	0.88			
			240	3.4	15.4	0.84			
4CF2015R	0.75	0.55	220	5.0	20.0	0.85	57.7	2850	2000
			230	5.3	21.0	0.78			
			240	5.9	21.8	0.73			
4CF3025R	1.0	0.75	220	6.7	23.2	0.84	60.5	2850	3000
			230	6.5	24.2	0.83			
			240	6.3	25.2	0.83			
4CF3035R	1.5	1.1	220	7.6	31.5	0.93	70.0	2850	3000
			230	7.9	32.1	0.89			
			240	8.5	33.3	0.85			

* To be used with Run Capacitor type control box.

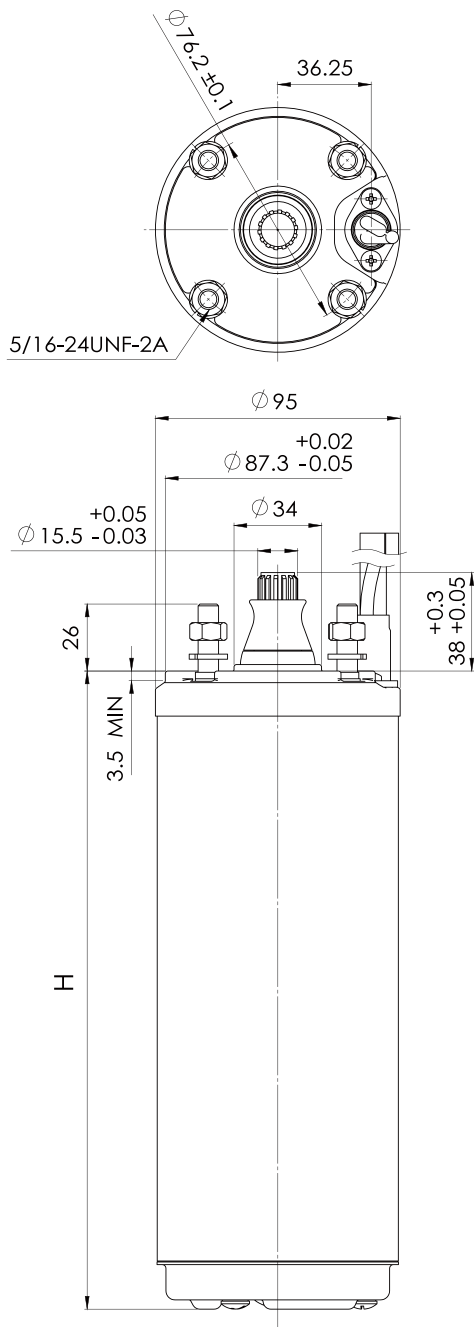
* Lightning arrester is available in option.

Motor Type	P ₂		Voltage V	I _n A	I _{start} A	PF% COS φ	Efficiency%	N _n RPM	Thrust N
	HP	kW							
4CF3035D	1.5	1.1	220	9.7	32.8	0.84	61.0	2850	3000
			230	9.9	34.6	0.79			
			240	10.0	36.4	0.76			
4CF3045D	2.0	1.5	220	10.9	41.0	0.88	70.5	2850	3000
			230	10.8	43.2	0.85			
			240	10.9	45.5	0.82			
4CF4055D	3.0	2.2	220	15.4	60.1	0.94	68.7	2850	4000
			230	15.2	63.2	0.92			
			240	15.0	66.4	0.89			
4CF6075D	5.0	3.7	220	23.9	104.5	0.96	72.8	2850	6000
			230	22.9	110.7	0.95			
			240	22.7	116.9	0.93			

* To be used with Double Capacitor (Run & Start) type control box.

* Lightning arrester is available in option.

Dimension & Weight



Single Phase 2 Wire

Motor Type	Dimension (mm)			Cable (M)	Cable (mm ²)	Gross Weight (kg/Lb)	Net Weight (kg/Lb)
	Cast Iron	304SS	316SS				
4CF2005M	H 308			1.7	1.5	10.8/23.9	10.4/23.0
4CF2015M	H 335			1.7	1.5	11.2/24.8	10.8/23.9
4CF3025M	H 378			1.7	1.5	12.4/27.4	11.8/26.7
4CF3035M	H 423			1.7	1.5	13.5/29.8	13.1/29.0

Single Phase 3 Wire

Motor Type	Dimension (mm)			Cable (M)	Cable (mm ²)	Gross Weight (kg/Lb)	Net Weight (kg/Lb)
	Cast Iron	304SS	316SS				
4CF2005R	H 248			1.7	1.5	9.7/21.4	9.3/20.6
4CF2015R	H 275			1.7	1.5	10.9/23.9	10.5/23.2
4CF3025R	H 298			1.7	1.5	11.3/25.0	10.9/24.0
4CF3035R	H 347			1.7	1.5	12.9/28.5	12.1/26.7

Motor Type	Dimension (mm)			Cable (M)	Cable (mm ²)	Gross Weight (kg/Lb)	Net Weight (kg/Lb)
	Cast Iron	304SS	316SS				
4CF3035D	H 347			1.7	1.5	13.5/29.8	13.1/28.9
4CF3045D	H 388			1.7	1.5	15.3/33.8	14.8/32.7
4CF4055D	H 473			2.5	1.5	18.9/41.8	18.2/40.2
4CF6075D	H 704			2.5	2.0	30.1/66.5	29.1/64.3

Specifications

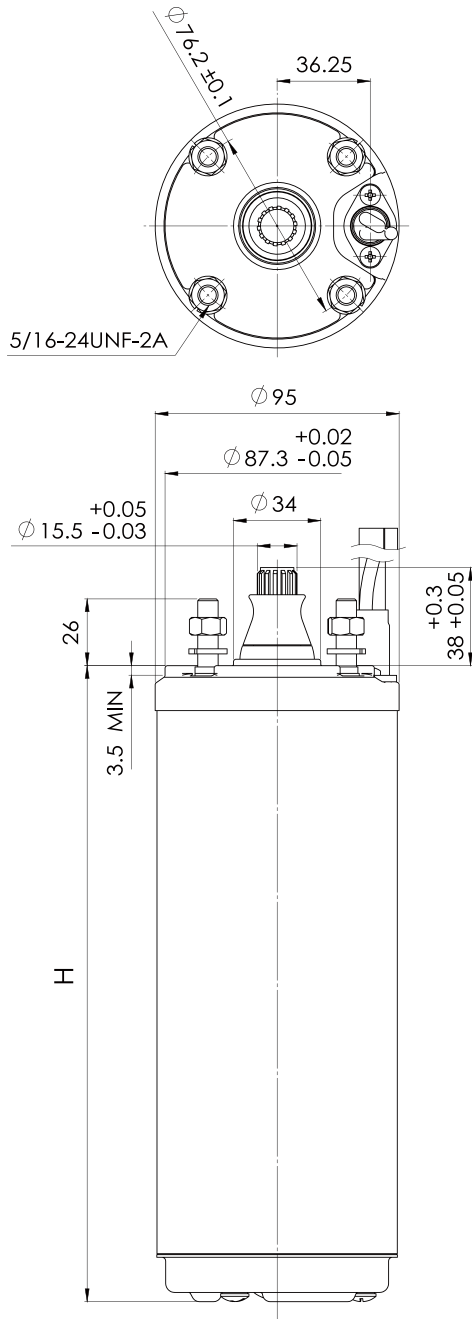
Three Phase

Motor Type	P2		Voltage	In	Istart	PF%	Efficiency%	Nn	Thrust
	HP	kW	V	A	A	COS ϕ		RPM	N
4CF2205	0.5	0.37	220	1.7	8.2	0.78	69.3	2850	2000
			230	1.7	8.8	0.75			
			240	1.7	9.4	0.72			
4CF2215	0.75	0.55	220	2.8	14.8	0.74	71.7	2850	2000
			230	2.8	16.0	0.68			
			240	2.8	16.8	0.65			
4CF3225	1.0	0.75	220	3.4	19.2	0.75	74.1	2850	3000
			230	3.6	20.4	0.71			
			240	3.6	21.4	0.67			
4CF3235	1.5	1.1	220	5.0	24.8	0.79	71.8	2850	3000
			230	5.1	26.0	0.75			
			240	5.3	27.2	0.70			
4CF3245	2.0	1.5	220	6.9	21.0	0.76	75.4	2850	3000
			230	7.1	43.0	0.70			
			240	7.5	44.8	0.65			
4CF4255	3.0	2.2	220	9.5	43.1	0.81	74.3	2850	4000
			230	9.6	45.2	0.77			
			240	10.0	47.4	0.72			
4CF6265	4.0	3.0	220	11.8	81.5	0.82	75.0	2850	6000
			230	12.1	85.7	0.77			
			240	12.7	89.9	0.71			
4CF6275	5.5	4.0	220	17.8	106.3	0.78	75.2	2850	6000
			230	18.5	111.8	0.72			
			240	18.7	117.1	0.68			
4CF6285	7.5	5.5	220	22.3	116.7	0.86	76.6	2850	6000
			230	22.6	122.9	0.81			
			240	23.1	128.8	0.77			

Motor Type	P2		Voltage	In	Istart	PF%	Efficiency%	Nn	Thrust
	HP	kW	V	A	A	COS ϕ		RPM	N
4CF2105	0.5	0.37	380	1.0	4.1	0.78	69.3	2850	2000
			400	1.0	4.4	0.75			
			415	1.0	4.7	0.72			
4CF2115	0.75	0.55	380	1.6	7.4	0.74	71.7	2850	2000
			400	1.6	8.0	0.68			
			415	1.6	8.4	0.65			
4CF3125	1.0	0.75	380	2.0	9.6	0.75	74.1	2850	3000
			400	2.1	10.2	0.71			
			415	2.1	10.7	0.67			
4CF3135	1.5	1.1	380	2.9	14.3	0.82	68.9	2850	3000
			400	2.9	15.1	0.78			
			415	3.0	15.7	0.74			
4CF3145	2.0	1.5	380	4.0	20.5	0.76	75.4	2850	3000
			400	4.1	21.5	0.70			
			415	4.3	22.4	0.65			
4CF4155	3.0	2.2	380	5.5	24.5	0.85	72.0	2850	4000
			400	5.8	26.1	0.76			
			415	6.0	27.4	0.71			
4CF6165	4.0	3.0	380	7.4	47.0	0.82	75.0	2850	6000
			400	7.5	49.5	0.77			
			415	7.6	51.9	0.73			
4CF6175	5.5	4.0	380	10.4	61.4	0.78	75.2	2850	6000
			400	10.7	64.5	0.72			
			415	10.8	67.6	0.68			
4CF6185	7.5	5.5	380	13.0	67.4	0.86	74.6	2850	6000
			400	13.0	70.9	0.81			
			415	13.3	74.4	0.77			

Dimension&Weight

Three Phase



Motor Type	Dimension (mm)			Cable (M)	Cable (mm ²)	Gross Weight (kg/Lb)	Net Weight (kg/Lb)
	Cast Iron	304SS	316SS				
4CF2205	H			1.7	1.5	7.9/17.5	7.5/16.6
4CF2215	248			1.7	1.5	9.5/21.0	9.1/20.1
4CF3225	275			1.7	1.5	10.6/23.4	10.2/22.5
4CF3235	298			1.7	1.5	10.7/23.7	10.3/22.7
4CF3245	298			1.7	1.5	14.5/32.1	14.1/31.1
4CF4255	352			2.5	1.5	15.3/33.8	14.8/32.7
4CF6265	396			2.5	1.5	18.5/40.9	17.7/39.1
4CF6275	551			2.5	1.5	25.9/57.2	25.1/55.5
4CF6285	614			2.5	2.0	29.4/65.0	28.5/63.0
4CF6285	704			2.5	2.0	29.4/65.0	28.5/63.0

Motor Type	Dimension (mm)			Cable (M)	Cable (mm ²)	Gross Weight (kg/Lb)	Net Weight (kg/Lb)
	Cast Iron	304SS	316SS				
4CF2105	H			1.7	1.5	9.0/19.9	8.6/19.0
4CF2115	248			1.7	1.5	10.2/22.5	9.8/21.7
4CF3125	275			1.7	1.5	11.4/25.2	11.0/24.3
4CF3135	298			1.7	1.5	11.3/25.0	10.9/24.1
4CF3145	298			1.7	1.5	13.7/30.3	13.3/29.4
4CF4155	352			2.5	1.5	15.4/34.0	14.9/32.9
4CF6165	396			2.5	1.5	22.8/50.4	22.0/48.6
4CF6175	551			2.5	1.5	25.8/57.0	24.9/55.0
4CF6185	614			2.5	2.0	30.1/66.5	29.1/64.3
4CF6185	704			2.5	2.0	30.1/66.5	29.1/64.3

Specifications

Single Phase 2 Wire

Motor Type	P ₂		S.F	Voltage	In	Imax	Istart	PF%		Efficiency%		Nn	Thrust	CAPACITOR
	HP	kW		V	A	A	A	Allowable Load	Overload Factor	Allowable Load	Overload Factor	RPM	N	UF
4CF2606M	0.5	0.37	1.6	110	6.8	9.3	26.0	0.96	0.98	50.8	58.8	3450	2000	45UF 250V
				115	7.1	9.3	26.9	0.94	0.97					

Motor Type	P ₂		S.F	Voltage	In	Imax	Istart	PF%		Efficiency%		Nn	Thrust	CAPACITOR
	HP	kW		V	A	A	A	Allowable Load	Overload Factor	Allowable Load	Overload Factor	RPM	N	UF
4CF2506M	0.5	0.37	1.6	220	3.3	4.4	15.2	0.95	0.97	52.8	62.1	3450	2000	16UF 450V
				230	3.3	4.5	15.8	0.93	0.96					
4CF2516M	0.75	0.55	1.5	220	6.1	7.0	21.9	0.82	0.88	49.0	60.3	3450	2000	20UF 450V
				230	6.6	6.7	23.0	0.75	0.83					
4CF3526M	1.0	0.75	1.4	220	5.5	7.0	23.5	0.98	0.99	62.7	68.2	3450	3000	25UF 450V
				230	5.4	6.8	24.2	0.97	0.98					
4CF3536M	1.5	1.1	1.3	220	8.0	10.3	31.0	0.97	0.97	64.3	64.8	3450	3000	30UF 450V
				230	7.7	9.4	31.8	0.95	0.96					

* Lightning arrester is available in option.

Single Phase 3 Wire

Motor Type	P ₂		S.F	Voltage	In	Imax	Istart	PF%		Efficiency%		Nn	Thrust
	HP	kW		V	A	A	A	Allowable Load	Overload Factor	Allowable Load	Overload Factor	RPM	N
4CF2606S	0.5	0.37	1.6	110	9.6	12.9	38.7	0.68	0.81	50.9	51.2	3450	2000
				115	9.9	12.3	41.1	0.66	0.78				

* To be used with Start Capacitor type control box.

* Lightning arrester is available in option.

Motor Type	P ₂		S.F	Voltage	In	Imax	Istart	PF%		Efficiency%		Nn	Thrust
	HP	kW		V	A	A	A	Allowable Load	Overload Factor	Allowable Load	Overload Factor	RPM	N
4CF2506S	0.5	0.37	1.6	220	5.0	5.8	22.0	0.57	0.53	49.2	53.2	3450	2000
				230	5.4	6.5	23.1	0.60	0.74				
4CF2516S	0.75	0.55	1.5	220	7.0	7.8	31.6	0.59	0.72	51.1	56.4	3450	2000
				230	7.8	8.8	33.3	0.60	0.72				
4CF3526S	1.0	0.75	1.4	220	8.1	10.0	36.4	0.70	0.78	60.1	60.6	3450	3000
				230	8.3	9.8	38.1	0.65	0.75				

* To be used with Start Capacitor type control box.

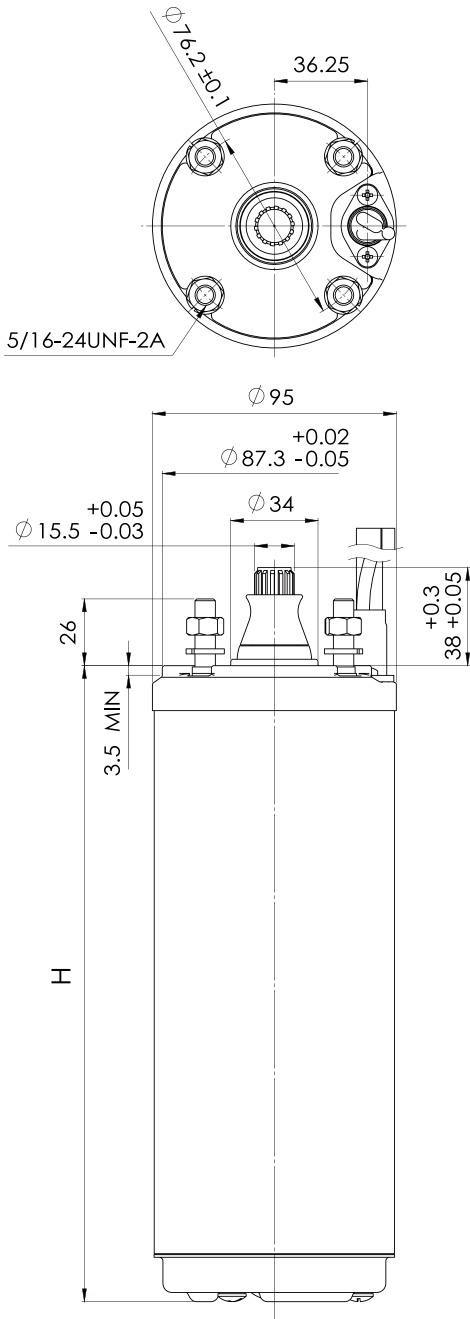
* Lightning arrester is available in option.

Motor Type	P ₂		S.F	Voltage	In	Imax	Istart	PF%		Efficiency%		Nn	Thrust
	HP	kW		V	A	A	A	Allowable Load	Overload Factor	Allowable Load	Overload Factor	RPM	N
4CF3536D	1.5	1.1	1.3	220	8.8	11.3	41.4	0.87	0.91	65.1	62.8	3450	3000
				230	8.6	10.5	44.0	0.84	0.89				
4CF3546D	2.0	1.5	1.25	220	11.4	13.9	49.4	0.89	0.95	66.2	66.8	3450	3000
				230	11.4	13.5	52.6	0.86	0.89				
4CF4556D	3.0	2.2	1.15	220	14.4	16.6	70.5	0.98	0.98	70.6	70.7	3450	4000
				230	13.9	15.8	74.0	0.97	0.97				
4CF6566D	5.0	3.7	1.15	220	24.2	28.1	101.1	0.99	0.99	69.9	69.3	3450	6000
				230	22.9	26.2	106.7	0.99	0.99				

* To be used with Double Capacitor (Run & Start) type control box.

* Lightning arrester is available in option.

Dimension & Weight



Single Phase 2 Wire

Motor Type	Dimension (mm)			Cable (M)	Cable (AWG)	Gross Weight (kg/Lb)	Net Weight (kg/Lb)
	Cast Iron	304SS	316SS				
	H						
4CF2606M	308			1.2	14	9.7/21.4	9.3/20.5

Motor Type	Dimension (mm)			Cable (M)	Cable (AWG)	Gross Weight (kg/Lb)	Net Weight (kg/Lb)
	Cast Iron	304SS	316SS				
	H						
4CF2506M	308			1.2	14	9.6/21.1	9.3/20.6
4CF2516M	335			1.2	14	10.8/23.9	10.4/23.0
4CF3526M	378			1.2	14	12.1/26.7	11.5/25.4
4CF3536M	423			1.2	14	14.3/31.6	13.5/29.8

Single Phase 3 Wire

Motor Type	Dimension (mm)			Cable (M)	Cable (AWG)	Gross Weight (kg/Lb)	Net Weight (kg/Lb)
	Cast Iron	304SS	316SS				
	H						
4CF2606S	248			1.2	14	9.0/19.9	8.6/19.0

Motor Type	Dimension (mm)			Cable (M)	Cable (AWG)	Gross Weight (kg/Lb)	Net Weight (kg/Lb)
	Cast Iron	304SS	316SS				
	H						
4CF2506S	248			1.2	14	9.0/19.9	8.7/19.2
4CF2516S	275			1.2	14	10.3/22.8	9.9/21.9
4CF3526S	298			1.2	14	11.3/24.9	10.9/24.0

Motor Type	Dimension (mm)			Cable (M)	Cable (AWG)	Gross Weight (kg/Lb)	Net Weight (kg/Lb)
	Cast Iron	304SS	316SS				
	H						
4CF3536D	347			1.2	14	13.3/29.4	13.0/28.8
4CF3546D	388			1.2	14	15.1/33.4	14.5/32.1
4CF4556D	473			2.5	14	18.8/41.6	18.0/39.8
4CF6566D	704			2.5	14	29.7/65.6	28.8/63.7

Specifications

Three Phase

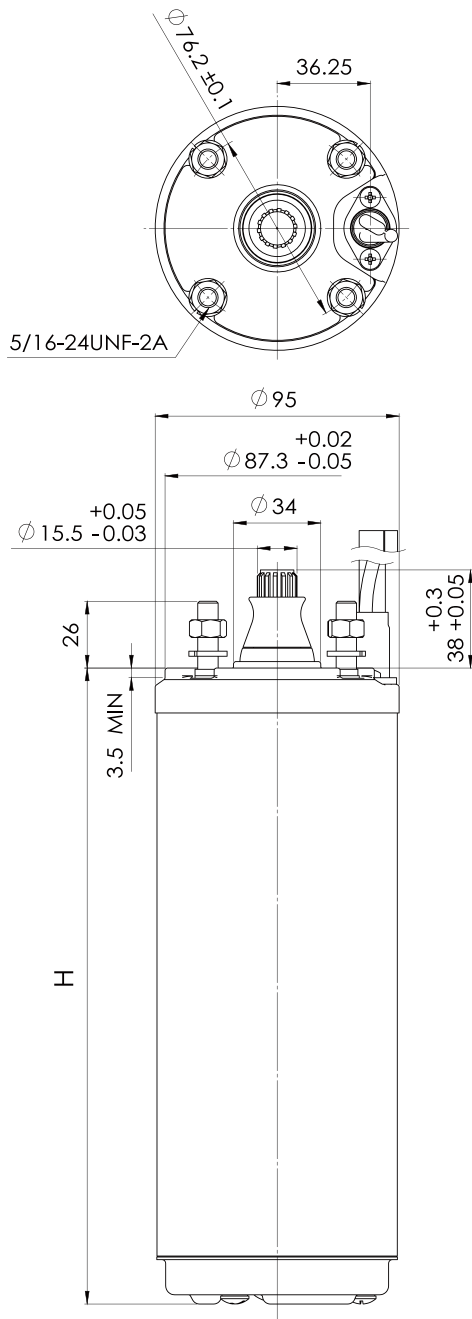
Motor Type	P ₂		S.F	Voltage	In	I _{max}	I _{start}	PF%		Efficiency%		N _n	Thrust
	HP	kW		V	A	A	A	Allowable Load	Overload Factor	Allowable Load	Overload Factor	RPM	N
4CF2906	0.5	0.37	1.6	220	2.2	2.8	14.2	0.62	0.75	67.7	72.6	3450	2000
				230	2.4	2.8	15.0	0.57	0.71				
4CF2916	0.75	0.55	1.5	220	3.6	4.1	23.6	0.59	0.71	67.9	70.9	3450	2000
				230	4.0	4.3	25.2	0.53	0.65				
4CF3926	1.0	0.75	1.4	220	3.6	4.5	18.8	0.75	0.82	72.5	74.1	3450	3000
				230	3.6	4.4	20.0	0.71	0.80				
4CF3936	1.5	1.1	1.3	220	4.8	5.9	33.2	0.77	0.82	76.7	75.7	3450	3000
				230	4.8	6.4	34.8	0.73	0.82				
4CF3946	2.0	1.5	1.25	220	6.5	7.7	35.5	0.79	0.84	76.3	76.2	3450	3000
				230	6.5	7.5	34.1	0.76	0.81				
4CF4956	3.0	2.2	1.15	220	9.6	10.6	54.3	0.78	0.81	77.1	77.2	3450	4000
				230	9.8	10.6	56.0	0.73	0.77				
4CF6966	4.0	3.0	1.15	220	13.2	14.6	98.9	0.77	0.80	77.2	77.0	3450	6000
				230	13.4	14.6	103.9	0.73	0.77				
4CF6976	5.0	3.7	1.15	220	15.9	17.7	84.3	0.81	0.84	75.3	74.9	3450	6000
				230	15.7	17.3	88.4	0.78	0.81				
4CF6996	7.5	5.5	1.15	220	24.1	26.6	123.4	0.77	0.80	77.4	77.2	3450	6000
				230	24.7	26.9	126.2	0.73	0.77				

Motor Type	P ₂		S.F	Voltage	In	I _{max}	I _{start}	PF%		Efficiency%		N _n	Thrust
	HP	kW		V	A	A	A	Allowable Load	Overload Factor	Allowable Load	Overload Factor	RPM	N
4CF2806	0.5	0.37	1.6	380	1.3	1.6	7.1	0.62	0.75	67.7	72.6	3450	2000
				400	1.4	1.6	7.5	0.57	0.71				
4CF2816	0.75	0.55	1.5	380	2.1	2.4	11.8	0.59	0.71	67.9	72.5	3450	2000
				400	2.3	2.5	12.6	0.53	0.65				
4CF3826	1.0	0.75	1.4	380	2.1	2.8	13.1	0.74	0.82	74.5	75.2	3450	3000
				400	2.1	2.7	13.9	0.70	0.79				
4CF3836	1.5	1.1	1.3	380	2.8	3.4	16.6	0.77	0.82	76.7	75.7	3450	3000
				400	2.8	3.8	17.4	0.73	0.82				
4CF3846	2.0	1.5	1.25	380	3.8	4.5	20.5	0.80	0.84	75.9	75.4	3450	3000
				400	3.8	4.4	19.7	0.76	0.81				
4CF4856	3.0	2.2	1.15	380	5.6	6.2	27.1	0.77	0.80	77.3	77.4	3450	4000
				400	5.7	6.2	28.0	0.72	0.76				
4CF6866	4.0	3.0	1.15	380	7.6	8.4	57.1	0.77	0.80	77.2	77.0	3450	6000
				400	7.7	8.4	60.0	0.73	0.77				
4CF6876	5.0	3.7	1.15	380	9.5	10.6	26.3	0.76	0.79	77.1	76.8	3450	6000
				400	9.7	10.6	27.5	0.72	0.75				
4CF6896	7.5	5.5	1.15	380	14.0	15.5	61.7	0.76	0.80	77.3	77.2	3450	6000
				400	14.4	15.6	63.1	0.71	0.75				

Motor Type	P ₂		S.F	Voltage	In	I _{max}	I _{start}	PF%		Efficiency%		N _n	Thrust
	HP	kW		V	A	A	A	Allowable Load	Overload Factor	Allowable Load	Overload Factor	RPM	N
4CF2306	0.5	0.37	1.6	460	0.9	1.3	4.5	0.72	0.82	67.9	70.5	3450	2000
4CF2316	0.75	0.55	1.5	460	1.9	2.2	10.6	0.54	0.67	65.8	71.2	3450	2000
4CF3326	1.0	0.75	1.4	460	3.0	3.2	19.1	0.48	0.58	65.2	70.5	3450	3000
4CF3336	1.5	1.1	1.3	460	2.5	3.0	15.5	0.74	0.80	72.7	72.0	3450	3000
4CF3346	2.0	1.5	1.25	460	3.7	4.1	23.1	0.68	0.74	75.4	76.2	3450	3000
4CF4356	3.0	2.2	1.15	460	4.9	5.4	28.8	0.74	0.77	75.7	76.1	3450	4000
4CF6366	4.0	3.0	1.15	460	6.6	7.2	52.3	0.75	0.79	75.8	76.1	3450	6000
4CF6376	5.0	3.7	1.15	460	8.7	9.5	68.4	0.68	0.72	77.4	77.9	3450	6000
4CF6396	7.5	5.5	1.15	460	10.9	12.1	78.3	0.79	0.83	79.1	78.7	3450	6000

Dimension&Weight

Three Phase



Motor Type	Dimension (mm)			Cable (M)	Cable (AWG)	Gross Weight (kg/Lb)	Net Weight (kg/Lb)
	Cast Iron	304SS	316SS				
4CF2906	248			1.2	14	9.2/20.3	8.8/19.5
4CF2916	275			1.2	14	10.2/22.5	9.9/21.9
4CF3926	298			1.2	14	11.2/24.8	10.9/24.1
4CF3936	298			1.2	14	11.3/24.9	10.9/24.1
4CF3946	352			1.2	14	13.6/30.0	13.2/29.2
4CF4956	396			2.5	14	15.6/34.5	15.1/33.4
4CF6966	551			2.5	14	22.6/49.9	21.7/48.0
4CF6976	551			2.5	14	22.7/50.2	21.8/48.2
4CF6996	704			2.5	14	30.1/66.5	29.1/64.3

Motor Type	Dimension (mm)			Cable (M)	Cable (AWG)	Gross Weight (kg/Lb)	Net Weight (kg/Lb)
	Cast Iron	304SS	316SS				
4CF2806	248			1.2	14	9.6/21.2	9.2/20.3
4CF2816	275			1.2	14	10.7/23.6	10.4/23.0
4CF3826	298			1.2	14	11.9/26.2	11.5/25.4
4CF3836	298			1.2	14	11.8/26.1	11.4/25.1
4CF3846	352			1.2	14	14.1/31.2	13.7/30.3
4CF4856	396			2.5	14	16.0/35.4	15.4/34.0
4CF6866	551			2.5	14	23.2/51.3	22.4/49.5
4CF6876	551			2.5	14	23.3/51.5	22.5/49.7
4CF6896	704			2.5	14	30.6/67.6	29.6/65.4

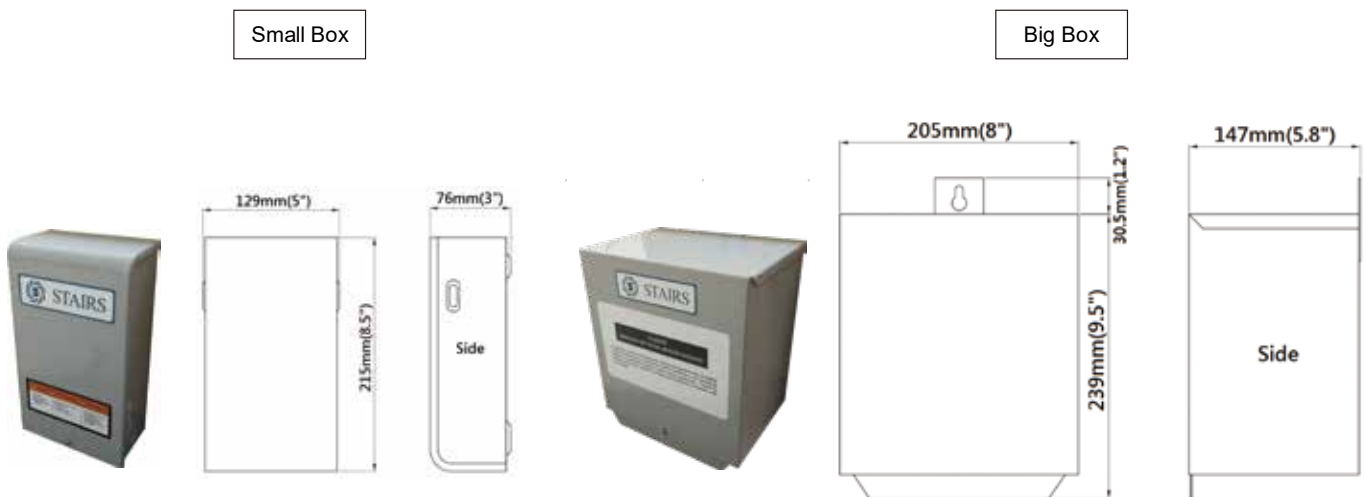
Motor Type	Dimension (mm)			Cable (M)	Cable (AWG)	Gross Weight (kg/Lb)	Net Weight (kg/Lb)
	Cast Iron	304SS	316SS				
4CF2306	248			1.2	14	9.0/19.9	8.6/19.0
4CF2316	275			1.2	14	10.3/22.8	9.9/21.9
4CF3326	298			1.2	14	11.4/25.2	11.0/24.3
4CF3336	298			1.2	14	11.4/25.2	11.0/24.3
4CF3346	352			1.2	14	13.7/30.3	13.3/29.4
4CF4356	396			2.5	14	15.5/34.4	14.9/32.9
4CF6366	551			2.5	14	22.8/50.4	22.0/48.6
4CF6376	551			2.5	14	25.8/57.0	25.0/55.3
4CF6396	704			2.5	14	30.1/66.5	29.1/64.3

EU Standard

Single Phase

Model	Type	Power	Voltage	Remark	Start Capacitor	Run Capacitor	Relay
		HP	V		MFD	UF	
SBC00R	RUN CAPACITOR (Small Box)	0.5	220~240	RUN CAPACITOR * 1 OVERLOAD PROTECTOR*1	—	16UF 450V	—
SBC01R		0.75				20UF 450V	
SBC02R		1.0				25UF 450V	
SBC03R		1.5				35UF 450V	
BBC03D	DOUBLE CAPACITOR (Big Box)	1.5	220~240	START CAPACITOR * 1 RUN CAPACITOR * 1 RELAY * 1 OVERLOAD PROTECTOR (1.5 HP * 2 2 - 5 HP * 2)	105-126MFD 250V	10UF 400V	P.U:180~195 VAC D.O: 40~105 VAC FLA:16A 277V RES:35A 277V
BBC04D		2.0			189-227MFD 250V	20UF 400V	
BBC05D		3.0			270-324MFD 250V	35UF 400V	
BBC07D		5.0			378-454MFD 250V	75UF 400V	

Dimension



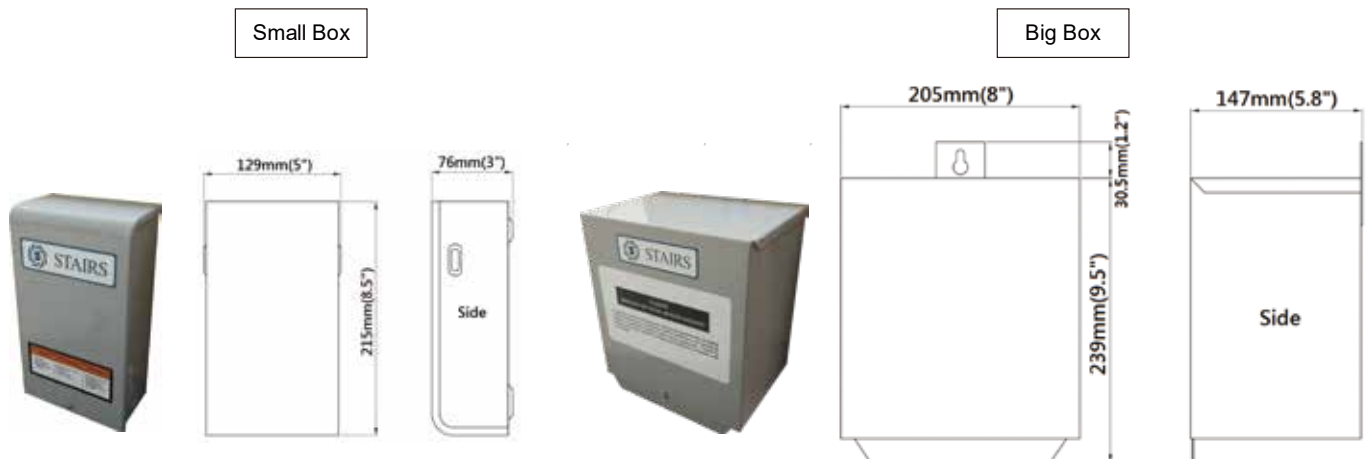
Model	Type	Dimension								
		Carton Box Size			Bottom Knockouts		Side Knockouts		Volume	
		L	W	H	Quantity	Diameter	Quantity	Diameter	PCS	Pallet size
SBC00R	RUN CAPACITOR (Small Box)	25cm (9.9")	14cm (5.5")	9cm (3.6")	2	Ø21.9mm (Ø0.86")	2	Ø21.9mm (Ø0.86")	240	100*82*138 cm
SBC01R										
SBC02R										
SBC03R										
BBC03D	DOUBLE CAPACITOR (Big Box)	29cm (11.5")	21.5cm (8.5")	16.5cm (6.5")	2	Ø33mm (Ø1.3")	—	—	112	104*88*140 cm
BBC04D										
BBC05D										
BBC07D										

US Standard

Single Phase

Model	Type	Power	Voltage	Remark	Start Capacitor	Run Capacitor	Relay
		HP	V		MFD	UF	
SBC60SA	START CAPACITOR (Small Box)	0.5HP	110~115V	START CAPACITOR * 1 + RELAY * 1	250-300MFD 250V	—	P.U: 63~72 VAC D.O: 20~40 VAC FLA: 16A 277V RES: 35A 277V
SBC50SA	START CAPACITOR (Small Box)	0.5HP	220~230V	START CAPACITOR * 1 + RELAY * 1	59 - 71MFD 250V	—	P.U:195~224 VAC D.O: 60~121 VAC FLA:16A 277V RES:35A 277V
SBC51SA		0.75HP			86-103MFD 250V		
SBC52SA		1.0HP			105-126MFD 250V		
BBC53DA	DOUBLE CAPACITOR (Big Box)	1.5HP	220~230V	START CAPACITOR * 1 RUN CAPACITOR * 1 RELAY * 1 OVERLOAD PROTECTOR (1.5 HP * 2) (2 - 5 HP * 2)	105-126MFD 250V	16UF 400V	P.U:195~224 VAC D.O: 60~121 VAC FLA:16A 277V RES:35A 277V
BBC54DA		2.0HP			105-126MFD 250V	20UF 400V	
BBC55DA		3.0HP			208-250MFD 250V	45UF 400V	
BBC56DA		5.0HP			270-324MFD 250V	80UF 400V	

Dimension



Model	Type	Dimension								
		Carton Box Size			Bottom Knockouts		Side Knockouts		Volume	
		L	W	H	Quantity	Diameter	Quantity	Diameter	PCS	Pallet size
SBC60SA	START CAPACITOR (Small Box)	25cm (9.9")	14cm (5.5")	9cm (3.6")	2	Ø21.9mm (Ø0.86")	2	Ø21.9mm (Ø0.86")	240	100*82*138 cm
SBC50SA										
SBC51SA										
SBC52SA										
BBC53DA	DOUBLE CAPACITOR (Big Box)	29cm (11.5")	21.5cm (8.5")	16.5cm (6.5")	2	Ø33mm (Ø1.3")	—	—	112	104*88*140 cm
BBC54DA										
BBC55DA										
BBC56DA										



Model Code

	6	C	F	7	24	5	D
Model Size 4=4" 6=6"							
Motor Construction W=Water Filled C=Encapsulated-resin Filled							
Material F=Cast Iron S=Stainless Steel 304 N=Stainless Steel 316							
Thrust 7=15500N 8=27500N							
Horse Power / Voltage / Phase (see check list)							
Frequency (5=50Hz, 6=60Hz)							
Single Method D=DOL W=Y-Δ							

Feature

- Hermetically sealed stator, anti-track, stator resin filled prevent motor burn out.
- High efficiency provides operation cost savings
- Thrust Pad
- Copper wiring
- Pressure equalizing diaphragm
- Removable lead connector
- Standard NEMA mounting dimensions
- Motor with carbon and ceramic Mechanical seal.
(Optional : SiC / SiC)

Motor Data

- Max. Immersion depth: 350m
- Protection : IP68
- Nos. of start per hour: max 20 at regular intervals
- Insulation : Class F
- Max temp. 30° with water cooling flow min. 0.16 m/s
- Standard installation position : vertical and horizontal
- Starting method : D.O.L / Star-Delta

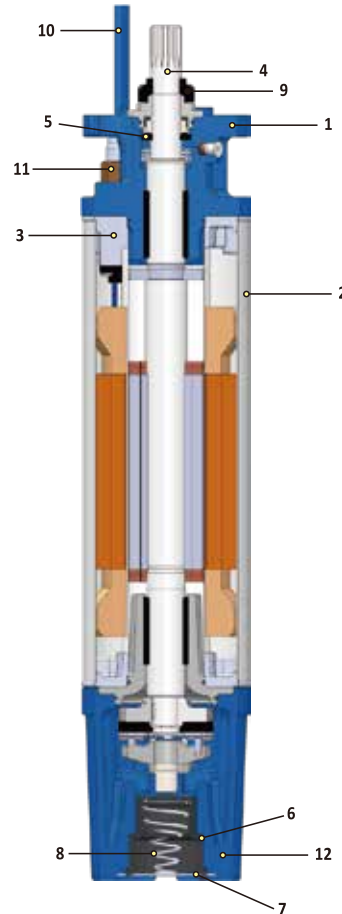
Motor Rating		Maximum Starts Per 24 hr Period	
HP	kW	Single Phase	Three-Phase
0.75HP and below	0.55kW and below	300	300
1HP- 5.5HP	0.75kW- 4kW	100	300
7.5HP- 30HP	5.5kW-22kW	50	100
40HP and above	30kW and above	-	100

Four-inch motors should run a minimum of one minute to avoid heat buildup from starting current, and Six-inch motors should have a minimum of 15 minutes.

Standard Voltage

50Hz	3Ø	5.5 - 30.0HP	4.0 - 22.0kW	220 - 240V
		5.5 - 50.0HP	4.0 - 37.0kW	380 - 415V
60Hz	3Ø	5.0 - 30.0HP	3.7 - 22.0kW	220 - 230V
		5.0 - 50.0HP	3.7 - 37.0kW	380V
		5.0 - 50.0HP	3.7 - 37.0kW	460V

Materials



NO	Component	6CF	6CS	6CN
1	Upper Bracket	Cast iron	AISI 304	AISI 316
2	Stator Shell	AISI 304	AISI 304	AISI 316
3	Stator Ends	Carbon steel	AISI 304	AISI 316
4	Shaft	AISI 420	AISI 420	AISI 630
5	Mechanical Seal	Carbon / ceramic	Carbon / ceramic	SiC / SiC
6	Diaphragm	NBR	NBR	NBR
7	End Cover	AISI 304	AISI 304	AISI 316
8	Spring	AISI 304	AISI 304	AISI 316
9	Sand Slinger	NBR	NBR	NBR
10	Lead Wire (Cable)	XLPE	XLPE	XLPE
11	Cable Jam Nut	Brass	AISI 304	AISI 316
12	Lower Bracket	Cast iron	AISI 304 over Iron	AISI 316 over Iron
	Lead Potting	Epoxy	Epoxy	Epoxy
	Mechanical Seal	NBR	NBR	NBR
	Rubber Components			
	Thrust Pad	AISI 420	AISI 420	AISI 420

Specifications

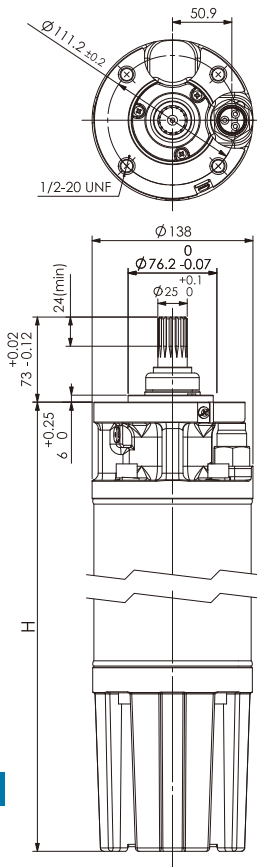
DOL (One Cable Only) Three Phase

Motor Type	P ₂		Voltage	In	I _{start}	PF%	Efficiency%	Nn	Thrust
	HP	kW	V	A	A	COS φ		RPM	N
6CF7205D	5.5	4.0	220	16.5	59.1	0.86	73.7	2850	15500
			230	17.0	62.0	0.81			
			240	16.6	64.4	0.78			
6CF7215D	7.5	5.5	220	21.8	103.1	0.84	78.4	2850	15500
			230	21.8	108.6	0.80			
			240	22.2	110.5	0.75			
6CF7225D	10.0	7.5	220	28.9	117.1	0.86	79.1	2850	15500
			230	28.6	125.4	0.82			
			240	28.9	130.9	0.78			
6CF7245D	15.0	11.0	220	43.6	105.1	0.86	77.0	2850	15500
			230	42.8	112.9	0.82			
			240	42.8	118.5	0.78			
6CF7265D	20.0	15.0	220	57.5	246.5	0.86	79.7	2850	15500
			230	57.7	262.9	0.81			
			240	59.2	276.4	0.76			
6CF7275D	25.0	18.5	220	70.3	234.7	0.85	80.6	2850	15500
			230	66.7	248.5	0.83			
			240	65.3	258.8	0.81			
6CF7285D	30.0	22.0	220	85.2	241.4	0.89	76.3	2850	15500
			230	78.1	254.6	0.87			
			240	75.3	271.8	0.86			

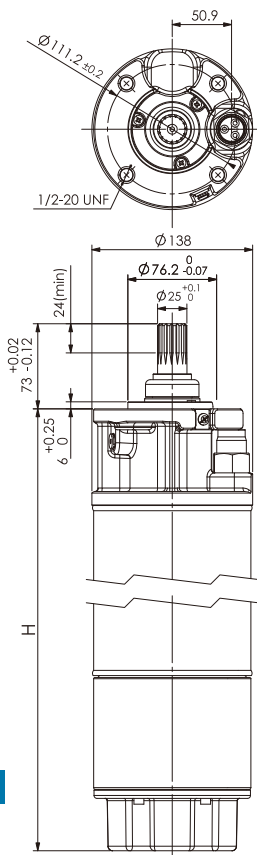
Motor Type	P ₂		Voltage	In	I _{start}	PF%	Efficiency%	Nn	Thrust
	HP	kW	V	A	A	COS φ		RPM	N
6CF7405D	5.5	4.0	380	9.5	34.1	0.86	73.7	2850	15500
			400	9.8	35.8	0.81			
			415	9.6	37.2	0.78			
6CF7415D	7.5	5.5	380	12.6	59.5	0.84	78.4	2850	15500
			400	12.6	62.7	0.80			
			415	12.8	63.8	0.75			
6CF7425D	10.0	7.5	380	16.7	67.6	0.86	79.1	2850	15500
			400	16.5	72.4	0.82			
			415	16.7	75.6	0.78			
6CF7445D	15.0	11.0	380	25.2	60.7	0.86	77.0	2850	15500
			400	24.7	65.2	0.82			
			415	24.7	68.4	0.78			
6CF7465D	20.0	15.0	380	33.2	142.3	0.86	79.7	2850	15500
			400	33.3	151.8	0.81			
			415	34.2	159.6	0.76			
6CF7475D	25.0	18.5	380	40.6	135.5	0.85	80.6	2850	15500
			400	39.2	143.5	0.83			
			415	39.8	149.4	0.79			
6CF7485D	30.0	22.0	380	49.2	139.4	0.89	76.3	2850	15500
			400	45.1	147.0	0.87			
			415	43.5	156.9	0.86			
6CF8505D	40.0	30.0	380	67.2	288.2	0.88	81.2	2850	27500
			400	66.8	305.5	0.83			
			415	67.6	318.2	0.79			
6CF8515D	50.0	37.0	380	82.0	358.1	0.89	81.1	2850	27500
			400	80.3	381.9	0.85			
			415	80.6	399.5	0.81			

Dimension&Weight

DOL (One Cable Only) Three Phase



Cast iron



304SS / 316SS

Motor Type	Dimension (mm)			Cable (M)	Cable (mm ²)	Gross Weight (kg/Lb)	Net Weight (kg/Lb)
	Cast Iron	304SS	316SS				
6CF7205D	582	574	H	4.0	4.0	44.6/98.6	39.2/86.6
6CF7215D	627	619	H	4.0	4.0	49.5/109.4	43.8/96.8
6CF7225D	662	654	H	4.0	4.0	53.2/117.6	47.1/104.1
6CF7245D	727	719	H	4.0	4.0	59.5/131.5	53.4/118.0
6CF7265D	787	779	H	4.0	6.0	65.6/145.0	58.8/130.0
6CF7275D	857	849	H	4.0	8.4	73.0/161.3	65.2/144.1
6CF7285D	907	899	H	4.0	8.4	78.2/172.8	70.9/156.7

Motor Type	Dimension (mm)			Cable (M)	Cable (mm ²)	Gross Weight (kg/Lb)	Net Weight (kg/Lb)
	Cast Iron	304SS	316SS				
6CF7405D	582	574	H	4.0	4.0	44.6/98.6	39.2/86.6
6CF7415D	627	619	H	4.0	4.0	49.5/109.4	43.8/96.8
6CF7425D	662	654	H	4.0	4.0	53.2/117.6	47.1/104.1
6CF7445D	727	719	H	4.0	4.0	59.5/131.5	53.4/118.0
6CF7465D	787	779	H	4.0	4.0	65.3/144.3	58.8/130.0
6CF7475D	857	849	H	4.0	4.0	72.2/159.6	65.2/144.1
6CF7485D	907	899	H	4.0	6.0	78.4/173.3	70.9/156.7
6CF8505D	1087	1079	H	4.0	8.4	95.8/211.7	89.1/196.9
6CF8515D	1267	1259	H	4.0	8.4	114.6/253.3	107.3/237.1

Specifications

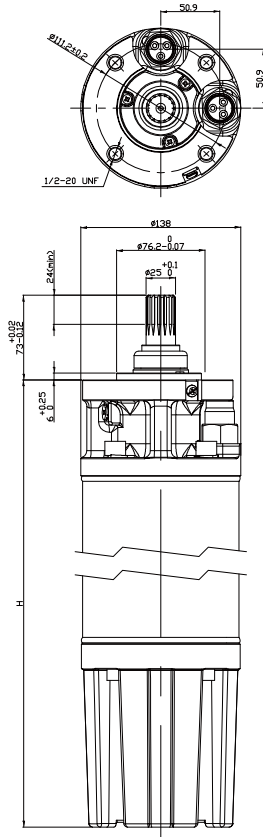
Y-Δ (Two Cable) Three Phase

Motor Type	P ₂		Voltage	In	I _{start}	PF%	Efficiency%	Nn	Thrust
	HP	kW	V	A	A	COS φ		RPM	N
6CF7205W	5.5	4.0	220	16.5	59.1	0.86	73.7	2850	15500
			230	17.0	62.0	0.81			
			240	16.6	64.4	0.78			
6CF7215W	7.5	5.5	220	21.8	103.1	0.84	78.4	2850	15500
			230	21.8	108.6	0.80			
			240	22.2	110.5	0.75			
6CF7225W	10.0	7.5	220	28.9	117.1	0.86	79.1	2850	15500
			230	28.6	125.4	0.82			
			240	28.9	130.9	0.78			
6CF7245W	15.0	11.0	220	43.6	105.1	0.86	77.0	2850	15500
			230	42.8	112.9	0.82			
			240	42.8	118.5	0.78			
6CF7265W	20.0	15.0	220	57.5	246.5	0.86	79.7	2850	15500
			230	57.7	262.9	0.81			
			240	59.2	276.4	0.76			
6CF7275W	25.0	18.5	220	70.3	234.7	0.85	80.6	2850	15500
			230	66.7	248.5	0.83			
			240	65.3	258.8	0.81			
6CF7285W	30.0	22.0	220	85.2	241.4	0.89	76.3	2850	15500
			230	78.1	254.6	0.87			
			240	75.3	271.8	0.86			

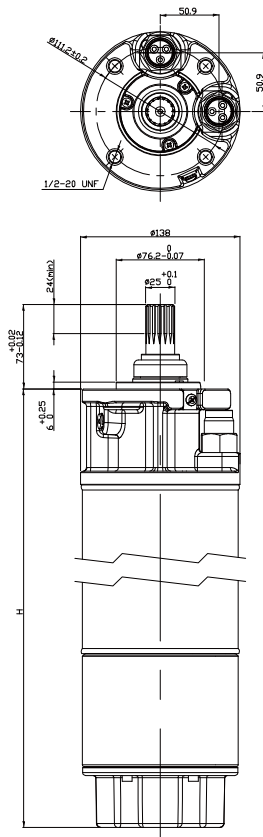
Motor Type	P ₂		Voltage	In	I _{start}	PF%	Efficiency%	Nn	Thrust
	HP	kW	V	A	A	COS φ		RPM	N
6CF7405W	5.5	4.0	380	9.5	34.1	0.86	73.7	2850	15500
			400	9.8	35.8	0.81			
			415	9.6	37.2	0.78			
6CF7415W	7.5	5.5	380	12.6	59.5	0.84	78.4	2850	15500
			400	12.6	62.7	0.80			
			415	12.8	63.8	0.75			
6CF7425W	10.0	7.5	380	16.7	67.6	0.86	79.1	2850	15500
			400	16.5	72.4	0.82			
			415	16.7	75.6	0.78			
6CF7445W	15.0	11.0	380	25.2	60.7	0.86	77.0	2850	15500
			400	24.7	65.2	0.82			
			415	24.7	68.4	0.78			
6CF7465W	20.0	15.0	380	33.2	142.3	0.86	79.7	2850	15500
			400	33.3	151.8	0.81			
			415	34.2	159.6	0.76			
6CF7475W	25.0	18.5	380	40.6	135.5	0.85	80.6	2850	15500
			400	39.2	143.5	0.83			
			415	39.8	149.4	0.79			
6CF7485W	30.0	22.0	380	49.2	139.4	0.89	76.3	2850	15500
			400	45.1	147.0	0.87			
			415	43.5	156.9	0.86			
6CF8505W	40.0	30.0	380	67.2	288.2	0.88	81.2	2850	27500
			400	66.8	305.5	0.83			
			415	67.6	318.2	0.79			
6CF8515W	50.0	37.0	380	82.0	358.1	0.89	81.1	2850	27500
			400	80.3	381.9	0.85			
			415	80.6	399.5	0.81			

Dimension&Weight

Y-Δ (Two Cable) Three Phase



Cast iron



304SS / 316SS

Motor Type	Dimension (mm)			Cable (M)	Cable (mm ²)	Gross Weight (kg/Lb)	Net Weight (kg/Lb)
	Cast Iron	304SS	316SS				
6CF7205W	582	574	H	4.0	4.0	45.8/101.2	39.2/86.6
6CF7215W	627	619	H	4.0	4.0	50.7/112.1	43.8/96.8
6CF7225W	662	654	H	4.0	4.0	54.4/120.2	47.2/104.3
6CF7245W	727	719	H	4.0	4.0	60.7/134.2	53.4/118.0
6CF7265W	787	779	H	4.0	4.0	66.6/147.2	58.8/130.0
6CF7275W	857	849	H	4.0	4.0	73.5/162.4	65.2/144.1
6CF7285W	907	899	H	4.0	4.0	79.4/175.5	71.0/156.9

Motor Type	Dimension (mm)			Cable (M)	Cable (mm ²)	Gross Weight (kg/Lb)	Net Weight (kg/Lb)
	Cast Iron	304SS	316SS				
6CF7405W	582	574	H	4.0	4.0	45.8/101.2	39.2/86.6
6CF7415W	627	619	H	4.0	4.0	50.7/112.0	43.8/96.8
6CF7425W	662	654	H	4.0	4.0	54.4/120.2	47.2/104.3
6CF7445W	727	719	H	4.0	4.0	60.7/134.2	53.4/118.0
6CF7465W	787	779	H	4.0	4.0	66.6/147.2	58.8/130.0
6CF7475W	857	849	H	4.0	4.0	73.5/162.4	65.2/114.1
6CF7485W	907	899	H	4.0	4.0	79.4/175.5	71.0/156.9
6CF8505W	1087	1079	H	4.0	4.0	97.1/214.6	90.4/199.8
6CF8515W	1267	1259	H	4.0	4.0	115.8/255.9	108.6/240.0

Specifications

DOL (One Cable Only) Three Phase

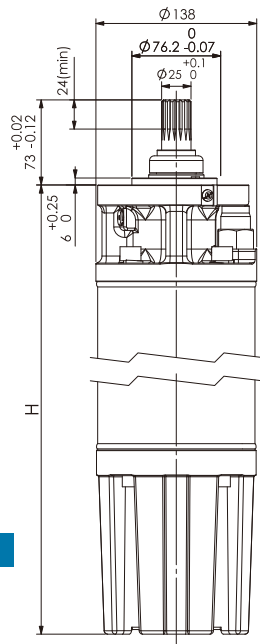
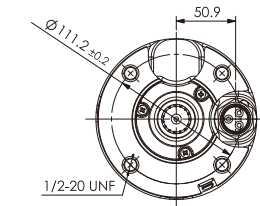
Motor Type	P ₂		S.F	Voltage	In	I _{max}	I _{start}	PF%		Efficiency%		N _n	Thrust
	HP	kW		V	A	A	A	Allowable Load	Overload Factor	Allowable Load	Overload Factor	RPM	N
6CF7106D	5.0	3.7	1.15	220	15.4	17.3	71.8	0.82	0.84	76.2	76.3	3450	15500
				230	15.6	17.2	76.2	0.78	0.81				
6CF7116D	7.5	5.5	1.15	220	21.7	24.2	130.2	0.83	0.85	79.9	80.1	3450	15500
				230	22.1	24.2	139.0	0.78	0.81				
6CF7126D	10.0	7.5	1.15	220	28.5	32.4	107.0	0.87	0.88	78.9	78.4	3450	15500
				230	27.9	31.4	112.0	0.85	0.87				
6CF7136D	15.0	11.0	1.15	220	41.8	48.7	148.0	0.87	0.87	79.3	77.7	3450	15500
				230	40.2	46.1	156.0	0.85	0.86				
6CF7146D	20.0	15.0	1.15	220	55.8	65.0	203.0	0.84	0.84	79.1	76.1	3450	15500
				230	54.0	63.5	213.0	0.86	0.84				
6CF7156D	25.0	18.5	1.15	220	70.1	80.8	302.4	0.84	0.85	81.9	80.8	3450	15500
				230	69.1	77.8	317.1	0.81	0.83				
6CF7166D	30.0	22.0	1.15	220	85.5	95.6	429.6	0.82	0.85	81.4	81.2	3450	15500
				230	88.3	96.9	451.0	0.77	0.81				

Motor Type	P ₂		S.F	Voltage	In	I _{max}	I _{start}	PF%		Efficiency%		N _n	Thrust
	HP	kW		V	A	A	A	Allowable Load	Overload Factor	Allowable Load	Overload Factor	RPM	N
6CF7206D	5.0	3.7	1.15	380	8.9	10.0	71.8	0.82	0.84	76.2	76.3	3450	15500
6CF7216D	7.5	5.5	1.15	380	12.5	14.0	130.2	0.83	0.85	79.9	80.1	3450	15500
6CF7226D	10.0	7.5	1.15	380	16.5	19.1	107.0	0.84	0.90	79.1	77.7	3450	15500
6CF7236D	15.0	11.0	1.15	380	24.1	28.1	148.0	0.87	0.87	79.3	77.7	3450	15500
6CF7246D	20.0	15.0	1.15	380	33.6	39.2	203.0	0.86	0.87	78.1	76.1	3450	15500
6CF7256D	25.0	18.5	1.15	380	40.5	46.7	302.4	0.84	0.85	81.9	80.8	3450	15500
6CF7266D	30.0	22.0	1.15	380	49.3	55.0	429.6	0.81	0.84	82.9	82.8	3450	15500
6CF8276D	40.0	30.0	1.15	380	69.3	80.4	387.3	0.79	0.82	83.1	83.3	3450	27500
6CF8286D	50.0	37.0	1.15	380	78.6	92.5	476.9	0.82	0.85	83.5	83.4	3450	27500

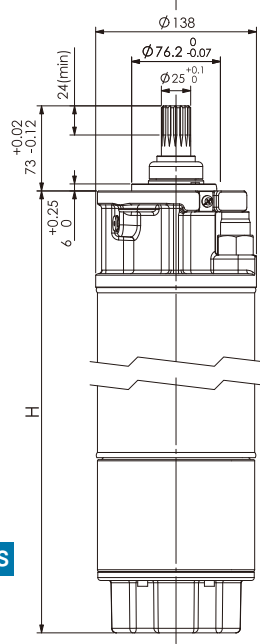
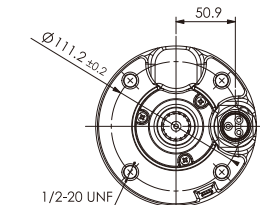
Motor Type	P ₂		S.F	Voltage	In	I _{max}	I _{start}	PF%		Efficiency%		N _n	Thrust
	HP	kW		V	A	A	A	Allowable Load	Overload Factor	Allowable Load	Overload Factor	RPM	N
6CF7306D	5.0	3.7	1.15	460	7.9	8.8	37.1	0.77	0.80	75.8	75.9	3450	15500
6CF7316D	7.5	5.5	1.15	460	11.0	12.1	64.8	0.78	0.81	80.3	80.5	3450	15500
6CF7326D	10.0	7.5	1.15	460	14.3	15.9	71.6	0.80	0.83	81.4	81.5	3450	15500
6CF7336D	15.0	11.0	1.15	460	21.2	23.9	67.2	0.80	0.82	81.2	80.8	3450	15500
6CF7346D	20.0	15.0	1.15	460	28.6	31.7	152.0	0.80	0.83	82.0	82.1	3450	15500
6CF7356D	25.0	18.5	1.15	460	34.0	38.0	142.3	0.81	0.83	84.0	83.8	3450	15500
6CF7366D	30.0	22.0	1.15	460	37.6	43.0	148.2	0.87	0.88	84.3	83.6	3450	15500
6CF8376D	40.0	30.0	1.15	460	54.7	64.2	307.8	0.85	0.87	84.3	84.3	3450	27500
6CF8386D	50.0	37.0	1.15	460	65.9	77.6	382.3	0.84	0.84	84.0	83.8	3450	27500

Dimension&Weight

DOL (One Cable Only) Three Phase



Cast iron



304SS / 316SS

Motor Type	Dimension (mm)			Cable (M)	Cable (AWG)	Gross Weight (kg/Lb)	Net Weight (kg/Lb)
	Cast Iron	304SS	316SS				
6CF7106D	582	574	H	4.0	10.0	46.4/102.5	41.0/90.6
6CF7116D	627	619	H	4.0	10.0	49.7/109.8	43.9/97.0
6CF7126D	662	654	H	4.0	10.0	53.1/117.3	47.1/104.1
6CF7136D	727	719	H	4.0	10.0	57.7/127.5	51.3/113.3
6CF7146D	787	779	H	4.0	8.0	65.2/144.1	58.4/129.1
6CF7156D	857	849	H	4.0	8.0	72.6/160.5	64.8/143.2
6CF7166D	907	899	H	4.0	8.0	76.5/169.0	68.5/151.4

Motor Type	Dimension (mm)			Cable (M)	Cable (AWG)	Gross Weight (kg/Lb)	Net Weight (kg/Lb)
	Cast Iron	304SS	316SS				
6CF7206D	582	574	H	4.0	10.0	46.4/102.5	41.0/90.6
6CF7216D	627	619	H	4.0	10.0	49.7/109.8	43.9/97.0
6CF7226D	662	654	H	4.0	10.0	53.1/117.4	47.1/104.1
6CF7236D	727	719	H	4.0	10.0	57.7/127.5	51.3/113.4
6CF7246D	787	779	H	4.0	10.0	65.0/143.7	58.4/129.1
6CF7256D	857	849	H	4.0	10.0	72.2/159.6	64.8/143.2
6CF7266D	907	899	H	4.0	10.0	76.0/168.0	68.5/151.4
6CF8276D	1087	1079	H	4.0	8.0	94.3/208.4	87.6/193.6
6CF8286D	1267	1259	H	4.0	8.0	113.3/250.4	106.1/234.5

Motor Type	Dimension (mm)			Cable (M)	Cable (AWG)	Gross Weight (kg/Lb)	Net Weight (kg/Lb)
	Cast Iron	304SS	316SS				
6CF7306D	582	574	H	4.0	10.0	44.9/99.2	39.5/78.3
6CF7316D	627	619	H	4.0	10.0	49.7/109.8	44.0/97.2
6CF7326D	662	654	H	4.0	10.0	53.3/117.8	47.3/104.5
6CF7336D	727	719	H	4.0	10.0	59.5/131.5	53.4/118.0
6CF7346D	787	779	H	4.0	10.0	65.6/145.0	59.1/130.6
6CF7356D	857	849	H	4.0	10.0	73.0/161.3	65.9/145.6
6CF7366D	907	899	H	4.0	10.0	78.2/172.8	70.6/156.0
6CF8376D	1087	1079	H	4.0	8.0	96.5/213.3	89.8/198.5
6CF8386D	1267	1259	H	4.0	8.0	114.8/253.7	107.5/237.6

Specifications

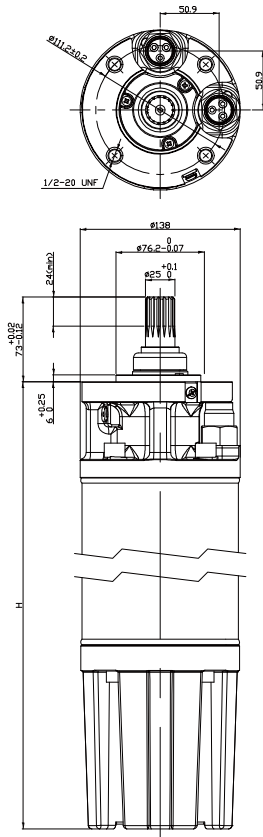
Y-Δ (Two Cable) Three Phase

Motor Type	P ₂		S.F	Voltage	In	Imax	Istart	PF%		Efficiency%		Nn	Thrust
	HP	kW		V	A	A	A	Allowable Load	Overload Factor	Allowable Load	Overload Factor	RPM	N
6CF7106W	5.0	3.7	1.15	220	15.4	17.3	71.8	0.82	0.84	76.2	76.3	3450	15500
				230	15.6	17.2	76.2	0.78	0.81				
6CF7116W	7.5	5.5	1.15	220	21.7	24.2	130.2	0.83	0.85	79.9	80.1	3450	15500
				230	22.1	24.2	139.0	0.78	0.81				
6CF7126W	10.0	7.5	1.15	220	28.5	32.4	107.0	0.87	0.88	78.9	78.4	3450	15500
				230	27.9	31.4	112.0	0.85	0.87				
6CF7136W	15.0	11.0	1.15	220	41.8	48.7	148.0	0.87	0.87	79.3	77.7	3450	15500
				230	40.2	46.1	156.0	0.85	0.86				
6CF7146W	20.0	15.0	1.15	220	55.8	65.0	203.0	0.84	0.84	79.1	76.1	3450	15500
				230	54.0	63.5	213.0	0.86	0.84				
6CF7156W	25.0	18.5	1.15	220	70.1	80.8	302.4	0.84	0.85	81.9	80.8	3450	15500
				230	69.1	77.8	317.1	0.81	0.83				
6CF7166W	30.0	22.0	1.15	220	85.5	95.6	429.6	0.82	0.85	81.4	81.2	3450	15500
				230	88.3	96.9	451.0	0.77	0.81				

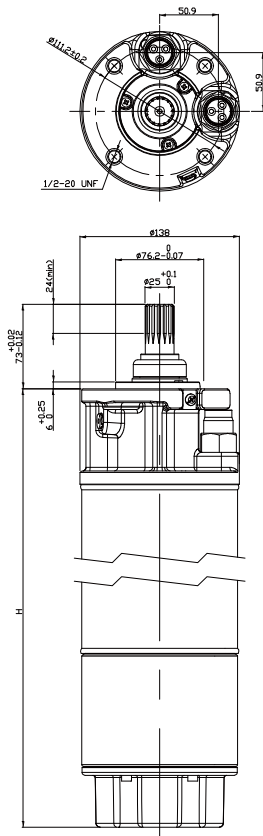
Motor Type	P ₂		S.F	Voltage	In	Imax	Istart	PF%		Efficiency%		Nn	Thrust
	HP	kW		V	A	A	A	Allowable Load	Overload Factor	Allowable Load	Overload Factor	RPM	N
6CF7206W	5.0	3.7	1.15	380	8.9	10.0	71.8	0.82	0.84	76.2	76.3	3450	15500
6CF7216W	7.5	5.5	1.15	380	12.5	14.0	130.2	0.83	0.85	79.9	80.1	3450	15500
6CF7226W	10.0	7.5	1.15	380	16.5	19.1	107.0	0.84	0.90	79.1	77.7	3450	15500
6CF7236W	15.0	11.0	1.15	380	24.1	28.1	148.0	0.87	0.87	79.3	77.7	3450	15500
6CF7246W	20.0	15.0	1.15	380	33.6	39.2	203.0	0.86	0.87	78.1	76.1	3450	15500
6CF7256W	25.0	18.5	1.15	380	40.5	46.7	302.4	0.84	0.85	81.9	80.8	3450	15500
6CF7266W	30.0	22.0	1.15	380	49.3	55.0	429.6	0.81	0.84	82.9	82.8	3450	15500
6CF8276W	40.0	30.0	1.15	380	69.3	80.4	387.3	0.79	0.82	83.1	83.3	3450	27500
6CF8286W	50.0	37.0	1.15	380	78.6	92.5	476.9	0.82	0.85	83.5	83.4	3450	27500

Dimension&Weight

Y-Δ (Two Cable) Three Phase



Cast iron



304SS / 316SS

Motor Type	Dimension (mm)			Cable (M)	Cable (AWG)	Gross Weight (kg)	Net Weight (kg)
	Cast Iron	304SS	316SS				
6CF7106W	582	574	H	4.0	10.0	47.6	41.0
6CF7116W	627	619	H	4.0	10.0	50.9	44.0
6CF7126W	662	654	H	4.0	10.0	54.3	47.1
6CF7136W	727	719	H	4.0	10.0	58.6	51.3
6CF7146W	787	779	H	4.0	10.0	66.2	58.5
6CF7156W	857	849	H	4.0	10.0	73.1	64.9
6CF7166W	907	899	H	4.0	10.0	77.0	68.5

Motor Type	Dimension (mm)			Cable (M)	Cable (AWG)	Gross Weight (kg)	Net Weight (kg)
	Cast Iron	304SS	316SS				
6CF7206W	582	574	H	4.0	10.0	47.6	41.0
6CF7216W	627	619	H	4.0	10.0	50.9	44.0
6CF7226W	662	654	H	4.0	10.0	54.3	47.1
6CF7236W	727	719	H	4.0	10.0	58.6	51.3
6CF7246W	787	779	H	4.0	10.0	66.2	58.5
6CF7256W	857	849	H	4.0	10.0	73.1	64.9
6CF7266W	907	899	H	4.0	10.0	77.0	68.5
6CF8276W	1087	1079	H	4.0	10.0	95.5	88.8
6CF8286W	1267	1259	H	4.0	8.0	114.6	107.3



 **STAIRS**

No. 3-8, Sanchial Tsun, Lutsao Hsiang, Chiayi County, Taiwan, R.O.C.
Tel :+886 5 3750488 Fax:+886 5 3752330
www.stairs.com.tw E-mail:stairs@stairs.com.tw

1110614