



Pressure Tank

SPTB, SPTT, SPTN series



No.6-7-1,Shanzijiao, Lucao Township, Chiayi County 61158, Taiwan
Tel :+886 5 3750488 Fax:+886 5 3755658
www.stairs.com.tw E-mail:stairs@stairs.com.tw

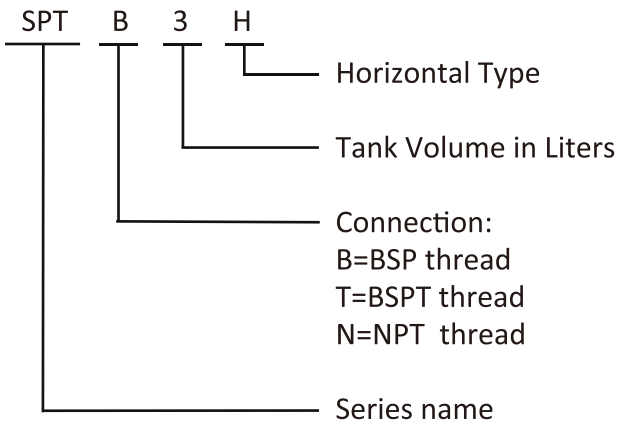
1120510

Aquafos



STAIRS INDUSTRIAL CO., LTD.

Model code



Features

- NSF Standard 61, IAPMO R&T UPC, ACS, CE approved
- Polypropylene liner to ensure long durability
- Butyl diaphragm to assure long life and safety
- Corrosion resistant durable baked epoxy coating finish
- Leak free, O-ring sealed air valve cap
- 100% pressure tested
- No maintenance needed
- 304 Stainless Steel water connection

Applications

- Water storage
- Water pressure boosting
- Water transferring



In-Line Type



Vertical Type With Base

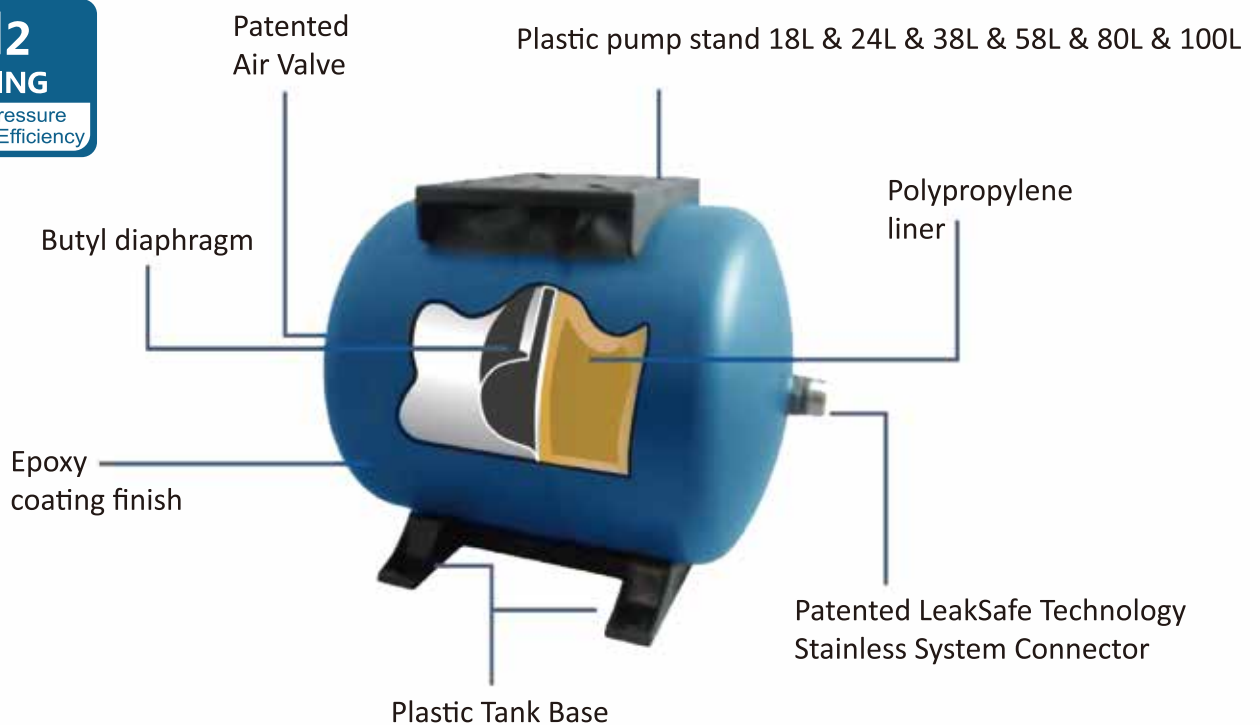
Operation Conditions

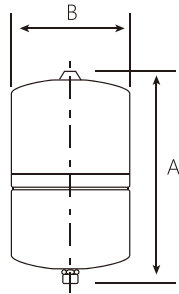
- Max.Working Pressure: 10 bar
- Max.Working Temperature: 90°C

Volume	Type
1 - 38 Liter	In-Line
58 - 450 Liter	Vertical Type With Base
18 - 100 Liter	Horizontal Type With Base

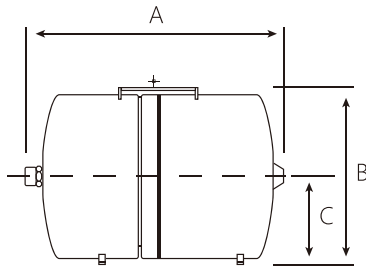
N₂
FILLING

Stable Pressure
with Best Efficiency



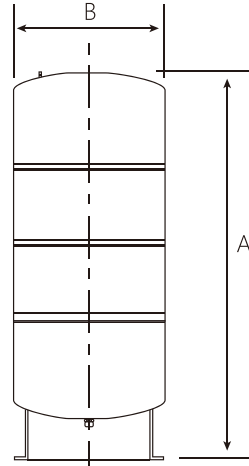


In-line Type



Model	Dimensions(mm)			
	A		B	
	mm	Inch	mm	Inch
SPT 1	201	7.9	120	4.7
SPT 3	220	8.7	140	5.5
SPT 8	304	12.0	203	8.0
SPT 12	384	15.1	229	9.0
SPT 18	364	14.3	280	11.0
SPT 24	415	16.3	290	11.4
SPT 38	564	22.2	290	11.4

Model	Dimensions(mm)					
	A		B		C	
	mm	Inch	mm	Inch	mm	Inch
SPT 18H	364	14.3	280	11.0	140	5.5
SPT 24H	415	16.3	290	11.4	145	5.7
SPT 38H	564	22.2	290	11.4	145	5.7
SPT 60H	536	21.1	390	15.3	190	7.5
SPT 80H	469	18.5	432	17.0	216	8.5
SPT 100H	710	28.0	430	16.9	215	8.4



Model	Dimensions(mm)			
	A		B	
	mm	Inch	mm	Inch
SPT 58	592	23.4	390	15.3
SPT 80	693	27.3	432	17.0
SPT 100	765	30.1	430	16.9
SPT 120	1148	45.2	390	15.3
SPT 130	785	30.9	550	21.7
SPT 160	931	36.7	550	21.7
SPT 200	1066	42.0	550	21.7
SPT 235	1196	47.1	550	21.7
SPT 305	1463	57.6	550	21.7
SPT 325	1105	45.5	650	25.6
SPT 450	1410	55.5	650	25.6

Horizontal Type With Base

Vertical Type With Base

Model Number	Total Tank Volume		Diameter		Height (Base Including)		Box Length		Box Width		Box Height		N.W.		G.W.		Shipping Volume	Connection	
	Liter	Gal	Cm	Inch	Cm	Inch	Cm	Inch	Cm	Inch	Cm	Inch	Kg	Lbs	Kg	Lbs	CUF		
SPT-1	1.3	0.35	12.0	4.7	20.1	7.9	27.0	10.6	27.0	10.6	23.0	9.1	2.6	5.7	3.0	6.6	0.59	1/2" NPT	
SPT-3	3	0.5	14.0	5.5	22.0	8.7	31.0	12.2	31.0	12.2	24.0	9.4	4.1	9.0	4.7	10.4	0.81	1" NPT/BSP	
SPT-8	8	2.0	20.3	8.0	30.4	12.0	21.0	8.3	21.0	8.3	32.0	12.6	1.9	4.2	2.3	5.1	0.50	1" NPT/BSP	
SPT-12	12	3.2	22.9	9.0	38.4	15.1	23.5	9.3	23.5	9.3	39.0	15.4	2.7	6.0	3.0	6.6	0.76	1" NPT/BSP	
SPT-18	18	4.5	28.0	11.0	36.4	14.3	28.0	11.0	28.0	11.0	39.0	15.4	3.4	7.5	3.8	8.4	1.08	1" NPT/BSP	
SPT-24	24	6.0	29.0	11.4	41.5	16.3	31.0	12.2	31.0	12.2	42.0	16.5	3.6	7.9	4.5	9.9	1.42	1" NPT/BSP	
SPT-38	38	10	29.0	11.4	56.4	22.2	31.0	12.2	31.0	12.2	58.0	22.8	5.3	11.7	6.2	13.7	1.97	1" NPT/BSP	
Stand Models With Base																			
SPT-58	58	14	39.0	15.3	59.2	23.4	40.0	15.7	40.0	15.7	62.0	24.4	9.4	20.7	10.7	23.6	3.50	1" NPT/BSP	
SPT-80	80	20	43.2	17.0	69.3	27.3	45.0	17.7	45.0	17.7	70.0	27.6	12.7	28.0	14.6	32.2	5.00	1" NPT/BSP	
SPT-100	100	28	43.0	16.9	76.5	30.1	45.0	17.7	45.0	17.7	80.0	31.5	13.7	30.2	15.6	34.4	5.72	1" NPT/BSP	
SPT-120	120	32	39.0	15.3	114.8	45.2	40.0	15.7	40.0	15.7	116.0	45.7	19.7	43.4	22.3	49.2	6.55	1" NPT/BSP	
SPT-130	130	34	55.0	21.7	78.5	30.9	55.0	21.7	55.0	21.7	80.0	31.5	21.5	47.4	24.5	54.0	8.54	1-1/4" NPT/BSP	
SPT-160	160	44	55.0	21.7	93.1	36.7	55.0	21.7	55.0	21.7	94.0	37.0	23.9	52.7	27.2	60.0	10.04	1-1/4" NPT/BSP	
SPT-200	200	53	55.0	21.7	106.6	42.0	55.0	21.7	55.0	21.7	108.0	42.5	26.9	59.3	30.4	67.0	11.53	1-1/4" NPT/BSP	
SPT-235	235	62	55.0	21.7	119.6	47.1	55.0	21.7	55.0	21.7	120.0	47.2	34.9	76.9	37.7	83.1	12.81	1-1/4" NPT/BSP	
SPT-305	305	81	55.0	21.7	146.3	57.6	55.0	21.7	55.0	21.7	149.0	58.7	39.9	88.0	45.9	101.2	15.91	1-1/4" NPT/BSP	
SPT-325	325	86	65.0	25.6	110.5	43.5	65.0	25.6	65.0	25.6	116.0	45.7	40.5	89.3	46.5	102.5	17.30	1-1/4" NPT/BSP	
SPT-450	450	120	65.0	25.6	141.0	55.5	65.0	25.6	65.0	25.6	145.0	57.1	56.9	125.4	61.9	136.5	21.63	1-1/4" NPT/BSP	

Model Number	Tank Volume		Diameter		Height		Length		Box Length		Box Width		Box Height		N.W.		G.W.		Shipping Volume	Connection
	Liter	Gal	Cm	Inch	Cm	Inch	Cm	Inch	Cm	Inch	Cm	Inch	Cm	Inch	Kg	Lbs	Kg	Lbs	CUF	
SPT-18H	18	4.5	28.0	11.0	30.9	12.2	36.4	14.3	40.0	15.7	30.0	11.8	33.0	13.0	3.8	8.4	4.3	9.5	1.40	1" NPT/BSP
SPT-24H	24	6.0	29.0	11.4	32.6	12.8	41.5	16.3	43.0	16.9	30.0	11.8	34.0	13.4	4.5	9.9	5.1	11.2	1.55	1" NPT/BSP
SPT-38H	38	10	29.0	11.4	32.6	12.8	56.4	22.2	60.0	23.6	31.0	12.2	34.0	13.4	5.9	13.0	6.8	15.0	2.23	1" NPT/BSP
SPT-58H	58	14	39.0	15.3	42.8	16.9	53.6	21.1	54.0	21.3	40.0	15.7	45.0	17.7	9.9	21.8	11.2	24.7	3.43	1" NPT/BSP
SPT-80H	80	20	43.2	17.0	46.9	18.5	62.2	24.5	64.0	25.2	45.0	17.7	49.0	19.3	12.8	28.2	14.3	31.5	4.98	1" NPT/BSP
SPT-100H	100	28	43.0	16.9	46.9	18.5	71.0	28.0	71.0	28.0	44.0	17.3	49.0	19.3	14.4	31.6	15.8	34.7	5.40	1" NPT/BSP

SPT 1 and 3 liters tanks: 4 pcs / box

Optional Stainless steel 90°female elbow (58, 80, 100, 120, 130, 160, 200, 235, 305, 325, 450 Liters vertical models)

Factory Precharge:30 PSI / 2bar

Optional New Plastic base (Vertical Models, 58, 80,120L)