



SPC series
Coolant Pump

50HZ/60HZ



STAIRS INDUSTRIAL CO., LTD.

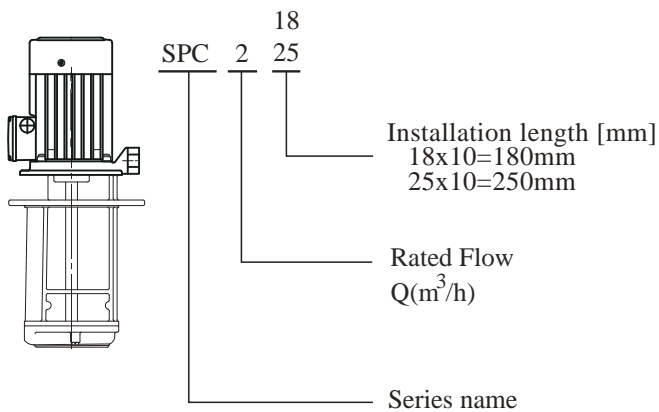
Applications

The SPC coolant pump is co-axial pump/motor design to processing-material cooling device such as milling, drilling, cutting, grinding these widely machine tools, it is suitable to deliver coolant, light oil and all kind non-aggressive liquids.

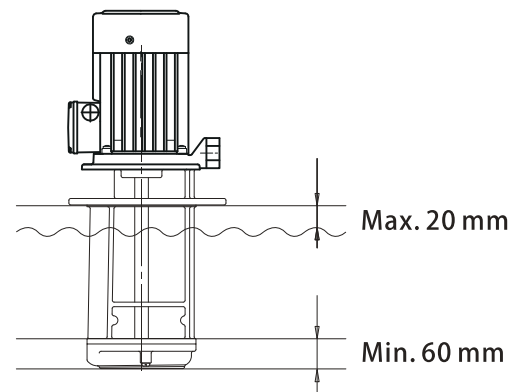
Pump Construction

The pump is one-chamber vertical centrifugal pump, co-axial pump/ motor design, impellers mounted on extended motor shaft.

Model code



Installation



Motor

Frequency: 50 / 60 Hz

Insulation Class: F class

Enclosure Protection Class: IP 54

Nominal Speed: 2900 / 3500 RPM

Standard Voltages: 3Ø 50Hz: 220-240V / 380-415V
3Ø 60Hz: 220-255V / 380-440V

Operation Conditions

Liquid Temperature Range: +0°C ~ +90°C

Ambient Temperature: Max. +40°C

Operating Pressure: Max. 10kg/cm²

Liquid viscosity: 1~32 cSt

Power: 50Hz: 170W~770W
60Hz: 305W~1160W

50Hz: Head Up to 12M

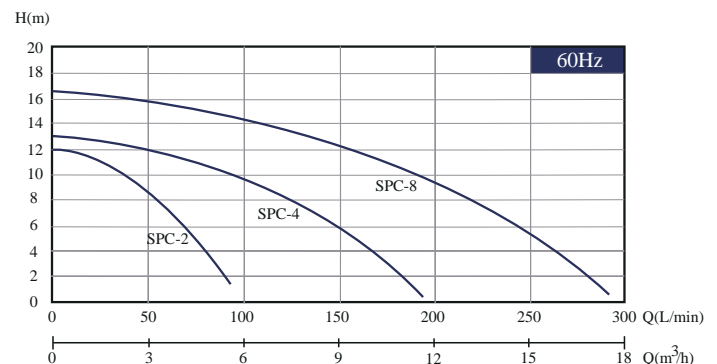
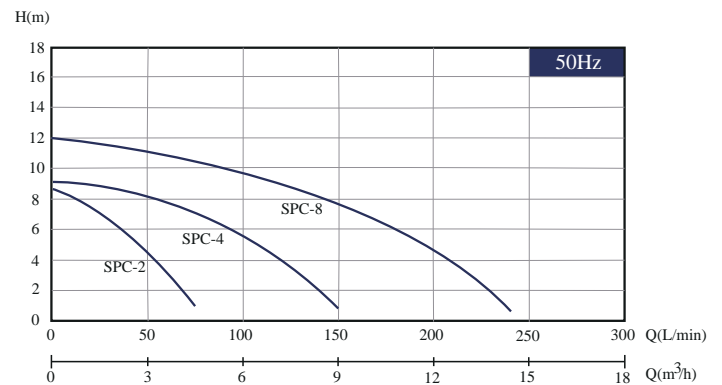
Flow Up to 245 L/min

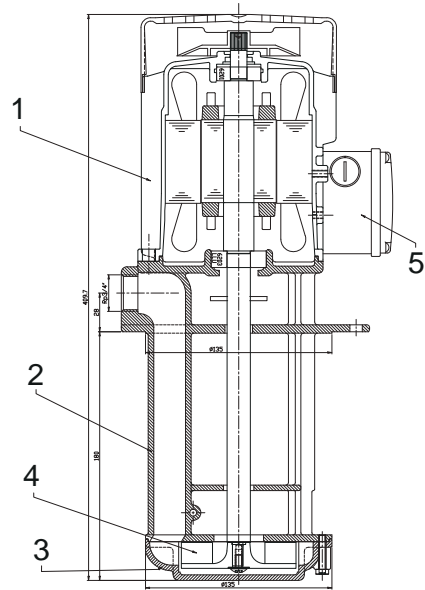
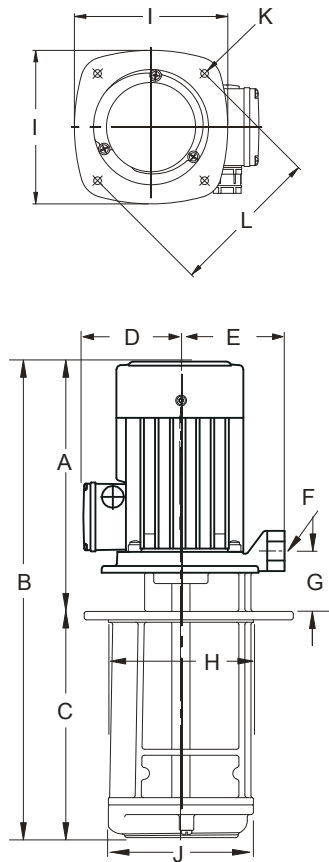
60Hz: Head Up to 16.5M

Flow Up to 290 L/min

Outlet: 1/2"~1"

Performance Curves



Dimensions


| No. | Component | Material |
|-----|------------|----------|
| 1 | Motor | ADC12 |
| 2 | Pump | FC20 |
| 3 | Pump cover | FC20 |
| 4 | Impeller | NYLON |
| 5 | Wiring box | ABS |

| Model | Dimension (mm) | | | | | | | | | | | | Weight (kg) | Units/Pallet | Pallet dimension L x W x H (cm) |
|----------|----------------|-----|-----|-----|----|--------|----|-----|-----|-----|------|---------|-------------|--------------|------------------------------------|
| | A | B | C | D | E | F | G | H | I | J | K | L | | | |
| SPC 2-18 | 185 | 365 | 180 | 115 | 85 | RP1/2" | 21 | 110 | 160 | 120 | 4*ø8 | PCD 158 | 9.5 | 50 | 100 x 100 x 167 |
| SPC 2-25 | 185 | 435 | 250 | 115 | 85 | RP1/2" | 21 | 110 | 160 | 120 | 4*ø8 | PCD 158 | 10.5 | | 100 x 100 x 167 |
| SPC 4-18 | 225 | 405 | 180 | 115 | 90 | RP3/4" | 25 | 120 | 170 | 135 | 4*ø8 | PCD 170 | 11 | | 110 x 110 x 167 |
| SPC 4-25 | 225 | 475 | 250 | 115 | 90 | RP3/4" | 25 | 120 | 170 | 135 | 4*ø8 | PCD 170 | 12 | | 110 x 110 x 167 |
| SPC 8-18 | 270 | 450 | 180 | 115 | 95 | RP1" | 30 | 130 | 190 | 150 | 4*ø8 | PCD 185 | 14 | | 105 x 110 x 123 |
| SPC 8-25 | 270 | 520 | 250 | 115 | 95 | RP1" | 30 | 130 | 190 | 150 | 4*ø8 | PCD 185 | 15.2 | | 95 x 110 x 123 |

Specifications

| Model | Phase | Power | Frequency | Discharge | Head (M) | Flow (L/min) | Voltage | | Max.Amp | |
|----------|-------|----------|-----------|-----------|-------------|--------------|------------------|------------------|-------------------|------------------|
| | | (W) | (HZ) | (inch) | 50HZ / 60HZ | 50HZ / 60HZ | 50HZ | 60HZ | 50HZ | 60HZ |
| SPC 2-18 | 3ø | 170/305 | 50/60 | 1/2" | 8.5 / 12 | 75/90 | 220~240/380~415V | 220~255/380~440V | 0.8-0.9/0.49-0.53 | 0.9-1.0/0.5-0.55 |
| SPC 2-25 | | 170/305 | | 1/2" | 8.5 / 12 | 75/90 | 220~240/380~415V | 220~255/380~440V | 0.8-0.9/0.49-0.53 | 0.9-1.0/0.5-0.55 |
| SPC 4-18 | | 405/650 | | 3/4" | 9 / 13 | 150/190 | 220~240/380~415V | 220~255/380~440V | 1.5-1.6/0.8-1.0 | 1.9-2.1/1.0-1.1 |
| SPC 4-25 | | 405/650 | | 3/4" | 9 / 13 | 150/190 | 220~240/380~415V | 220~255/380~440V | 1.5-1.6/0.8-1.0 | 1.9-2.1/1.0-1.1 |
| SPC 8-18 | | 770/1160 | | 1" | 12 / 16.5 | 240/290 | 220~240/380~415V | 220~255/380~440V | 2.9-3.0/1.7-1.9 | 3.4-3.5/1.9-2.1 |
| SPC 8-25 | | 770/1160 | | 1" | 12 / 16.5 | 240/290 | 220~240/380~415V | 220~255/380~440V | 2.9-3.0/1.7-1.9 | 3.4-3.5/1.9-2.1 |



www.stairs.com.tw

