



CP series
Submersible utility pump

50HZ

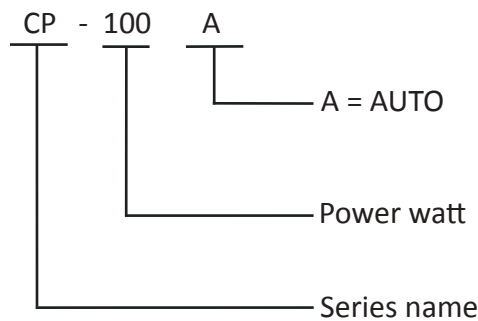


STAIRS INDUSTRIAL CO., LTD.

CP SERIES - Submersible utility pump

The STAIRS CP series submersible utility pump is designed for dewatering and groundwater transferring applications. It is extremely useful for transferring unwanted water away from building foundation, basement, and work area. Each pump is built using non-corrodible materials, ensuring a long service life. Because STAIRS CP series submersible utility pump is both durable and lightweight, it can be easily transported from one location or project to another.

Model code



Features

- Lightweight and portable
- All models are hermetically sealed to be watertight, dust-tight, and completely submersible
- High efficiency for low electricity bill
- Corrosion resistant materials for healthier life
- Robust construction for better reliability
- Auto reset thermal overload protection for longer motor life
- Removable screened bottom for easy cleaning

Applications

- Basement water removal
- Water transfer
- Sump/effluent handling
- Dewatering
- Fish pond & fountain circulation

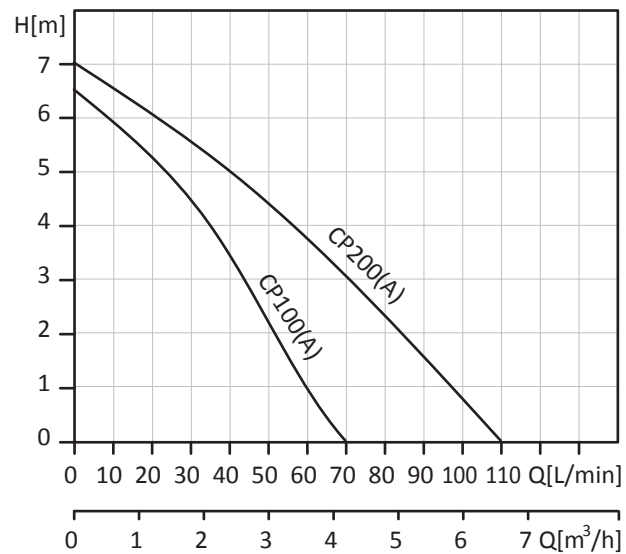
Motor

- Motor Type: 2 POLE, dry type
- Frequency: 50Hz
- Standard Voltages: 1Ø 220 - 240 V
- Insulation Class: B class (130°C)
- Enclosure Protection Class: IP 68
- Nominal Speed: 2850 rpm

Operation Conditions

- Liquid Temperature: 2°C - 40°C
- System Pressure: Max. 5M

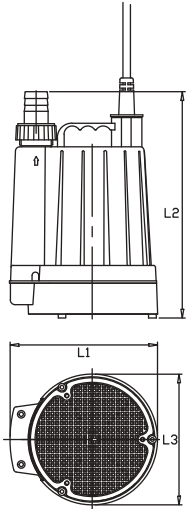
Performance Curves



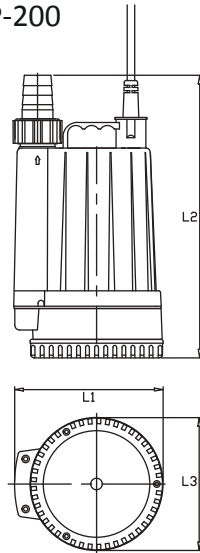
Power	Max.Flow	Max.Head
100 - 200 W	Up to 110 L/min	Up to 7 M

Dimension

■ CP-100

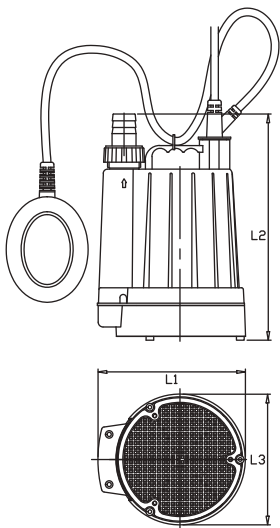


■ CP-200

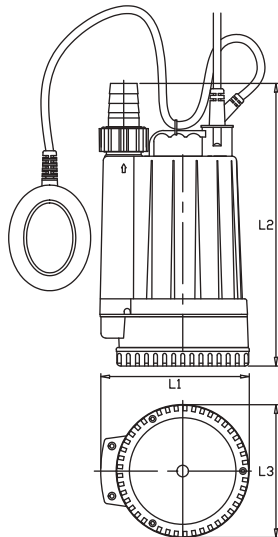


Model	Outlet	L1 (mm)	L2 (mm)	L3 (mm)
CP-100	3/4"	154	234.5	138
	1"	154	230	138
CP-100A	3/4"	154	234.5	138
	1"	154	230	138

■ CP-100A



■ CP-200A



Model	Outlet	L1 (mm)	L2 (mm)	L3 (mm)
CP-200	1-1/4"	154	293	138
CP-200A	1-1/4"	154	293	138

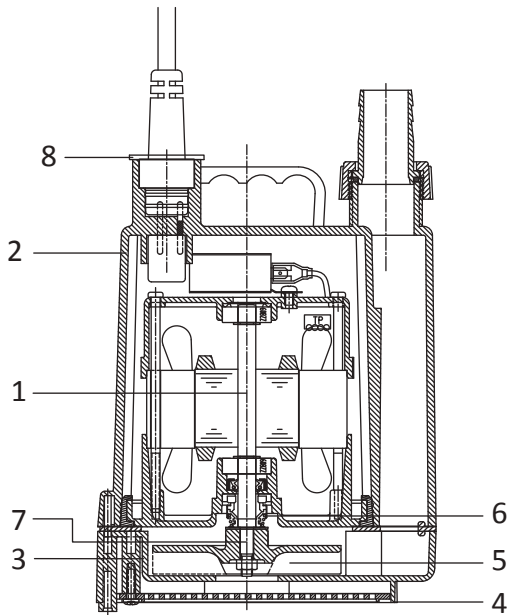
Specifications

Model	Phase	Voltage	Power	Head (Pressure)		Flow (Capacity)		Ampere	Solid pass	Connection	Weight	Packin dimension	Units/Pallet
			Watt	Rated (M)	Max. (M)	Rated (L/min)	Max. (L/min)						
CP-100	1∅	220-240	100W	4	6.5	35	70	1.0/1.0	3	3/4"/1"	3.1	110 x 110 x 216	216
CP-100A		220-240	100W	4	6.5	35	70	1.0/1.0	3	3/4"/1"	3.6	110 x 110 x 216	
CP-200		220-240	200W	5	7	40	110	1.3/1.3	5	1-1/4"	4.2	110 x 110 x 216	
CP-200A		220-240	200W	5	7	40	110	1.3/1.3	5	1-1/4"	4.7	110 x 110 x 216	

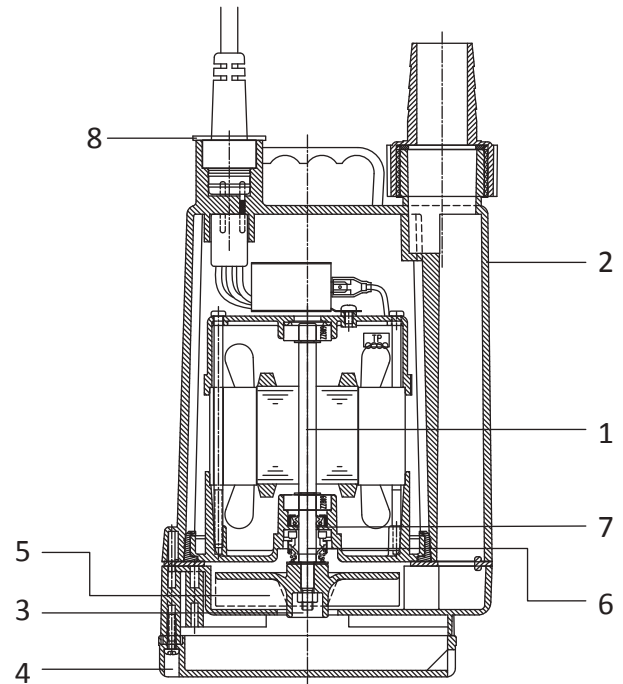
- Model with "A" is AUTO.
- 6 Units per set - 36 Sets per pallet.

Component

CP100,CP100A



CP200,CP200A



No.	Component	Material
1	Shaft	SUS400 Series
2	Motor Housing	PP+GF
3	Pump Casing	PP+GF
4	Strainer	PP+GF
5	Impeller	Nylon+GF
6	Mechanical seal	Carbon+Ceramic+NBR
7	Oil Seal	NBR
8	Cable gland	SUS304



A series of horizontal dashed lines for writing, spanning the width of the page.



STAIRS

www.stairs.com.tw

