

SPM 50/60Hz

SPM series pumps are
close-coupled multistage
centrifugal pumps.




SPM
General Data

Performance Range	1
Model Code	2
Application	2
Feature	2
Motor	2
Control Box For Single Phase Models	2
Material Options	2
Material	3

Technical Data

50hz-SPM 3	4
50hz-SPM 5	6
50hz-SPM 9	8
60hz-SPM 3	10
60hz-SPM 5	12
60hz-SPM 9	14

SPM series pumps are close-coupled multistage multistage centrifugal pumps.

Close coupled multi-stage submersible pumps. The motor is protected by a double seal system with an oil chamber providing long lasting reliability.

Motor cooling is assured by the pumping liquid.

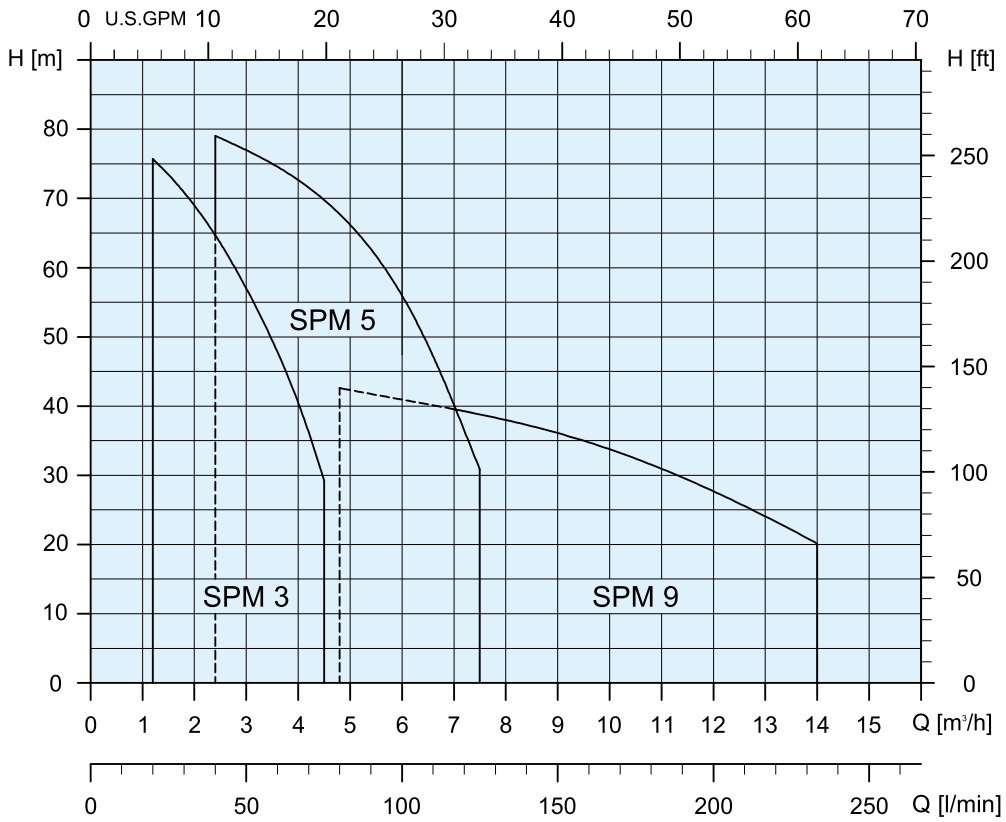
AISI 304 stainless steel body and impellers ensure superior performance and maximum operational efficiency.

The SPM 5" is available with or without float switch.

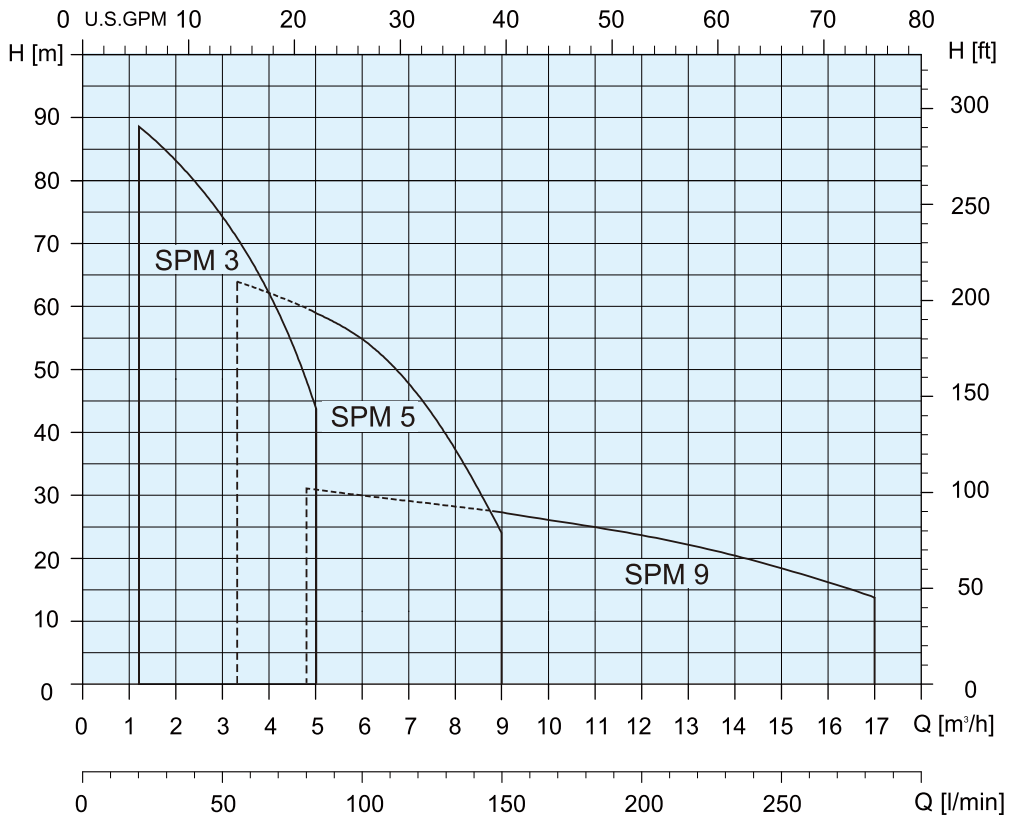
It can also be installed in a horizontal position. The unit comes with 20 metres of cable and has a maximum permissible quantity of suspended sand 25 g/m³.

Performance Range

50hz

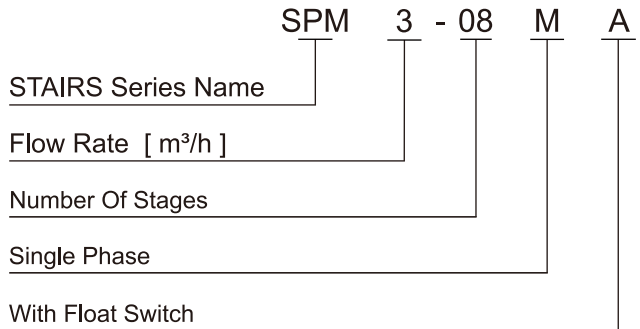


60hz





Model Code



Application

- Water supply from collection tanks , reservoirs , 6" wells traditional wells ,fresh water courses , lakes etc.
- Automatic systems for garden use.
- Surface irrigation systems.
- Increasing pressure in general inside tank or well, to avoid suction problems and noise.
- Rainwater harvesting system.

Feature

- Innovative
- Fast and easy installation
- Double Mechanical Seal System
- Versions with or without float switch
- Material Stainless Steel - AISI 304
- Installation : horizontal or vertical
- Built in Thermal Protector for Single Phase Model.
- Plug and play (Single Phase Only)

Motor

- Discharge size : RP 1 1/4"or NPT 1 1/4"or G 1 1/4"
- Delivery : up to 17 m³/h
- Head : up to 94 m
- Power supply : Single phase , Three phase 60 Hz
- Power : from 0.55 kW up to 1.5 kW
- Temperature of pumped liquid : to 40 °C
- Maximum immersion depth : 20 m
- Maximum solids size : up to 2 mm
- Insulation class : F
- Protection : IP 68

Control Box For Single Phase Models

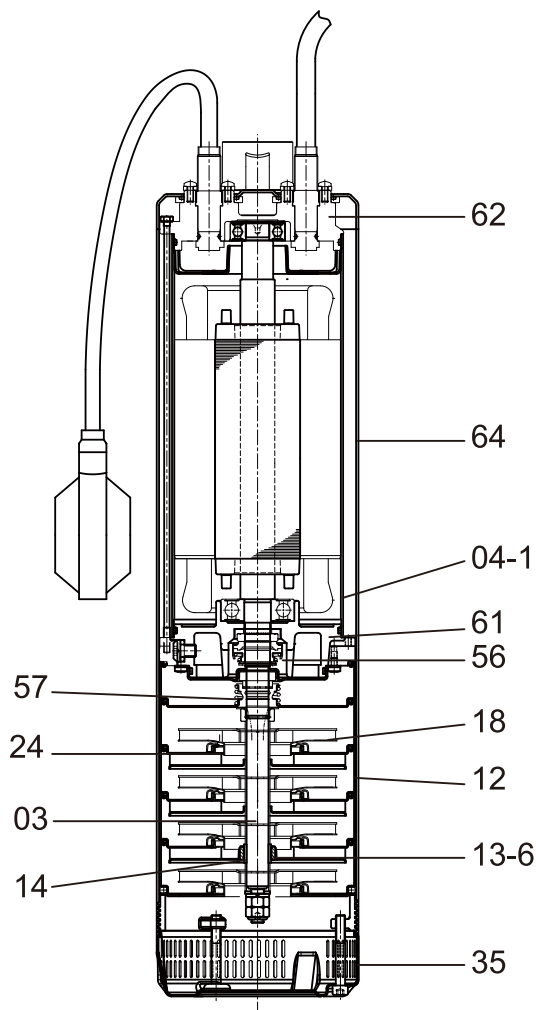
- Capacitor
- Overload Relay
- On/off Switch

Material Options

- Pump housing: AISI 304 stainless steel
- Impeller: AISI 304 stainless steel
- Elastomers: NBR
- Motors: Different voltages

Pos.	STAIRS	Other Brand	Other Brand
01			
02			

Material



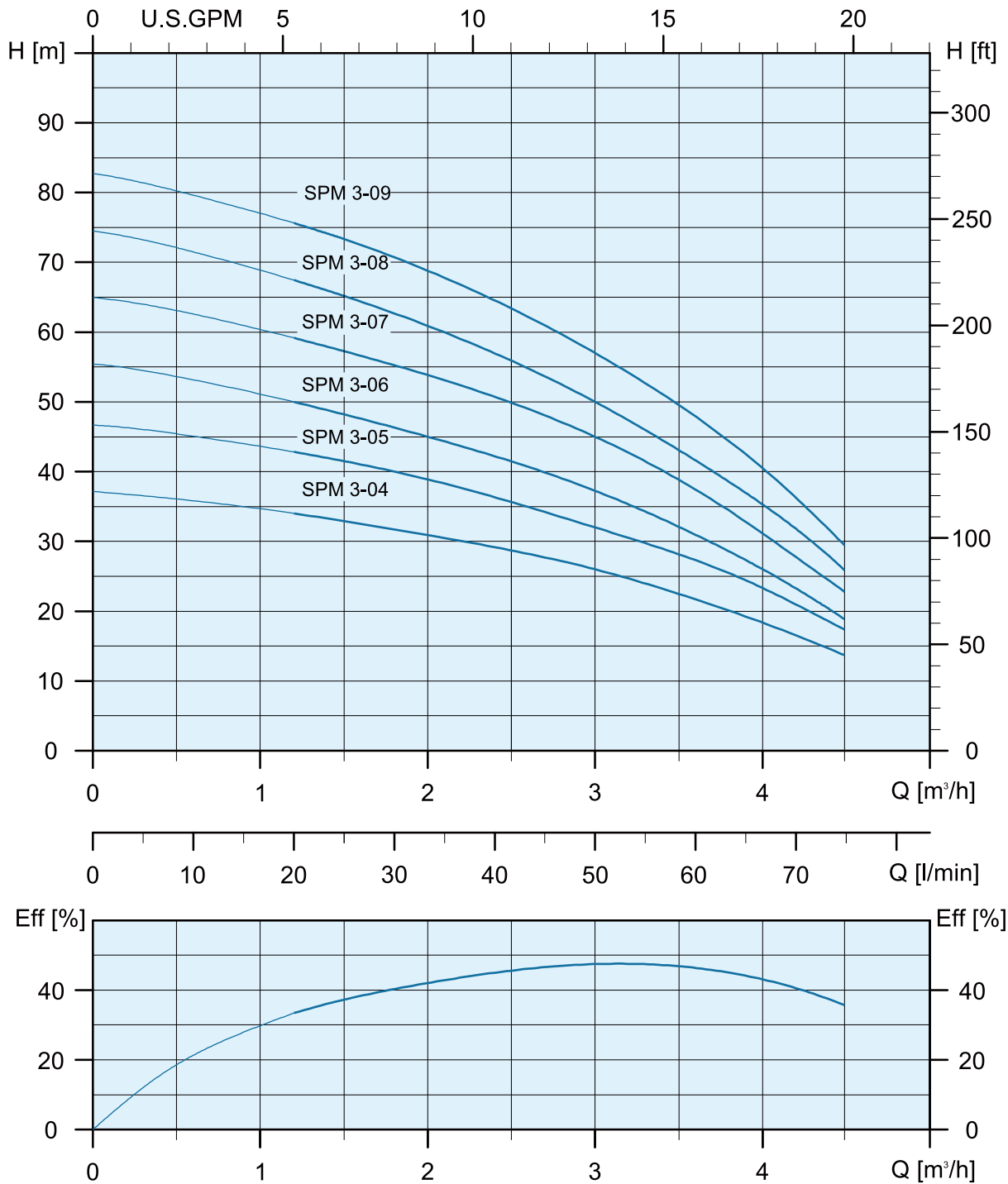
Pos.	Componente	Material	ED/DIN	ANSI/ASTM
03	Pump shaft	Stainless steel	1.4057	AISI 431
04-1	Motor sleeve	Stainless steel	1.4301	AISI 304
12	Chamber complete	Stainless steel	1.4301	AISI 304
13-6	Bearing ring (stationary)	Silicon carbide		
14	Bearing ring (rotating)	Silicon carbide		
18	Impeller	Stainless steel	1.4301	AISI 304
24	Neck ring	PTFE		
35	Suction strainer	Stainless steel	1.4301	AISI 304
56	Mechanical seal	Carbon / Ceramic / NBR		
57	Mechanical seal	Carbon / SIC / NBR		
61	Lower bearing bracket	Stainless steel	1.4301	AISI 304
62	Upper bearing bracket	Stainless steel	1.4301	AISI 304
64	External Sleeve	Stainless steel	1.4301	AISI 304

SPM 50/60Hz

Technical Data



Performance Curve



Specifications

Pump Type			Q = DELIVERY										
1∅		3∅		m³/h	0	1.2	1.5	2.0	2.5	3.0	3.5	4.0	4.5
220 - 240V		220 - 240V	380 - 415V	l/min	0	20.0	25.0	33.3	41.7	50.0	58.3	66.7	75.0
SPM 3-04 MA	SPM 3-04 M	SPM 3-04		H (m)	37	34	33	31	29	26	22	18	14
SPM 3-05 MA	SPM 3-05 M	SPM 3-05			47	43	41	39	36	32	28	23	17
SPM 3-06 MA	SPM 3-06 M	SPM 3-06			55	50	48	45	41	37	32	26	19
SPM 3-07 MA	SPM 3-07 M	SPM 3-07			65	59	57	54	50	45	39	31	23
SPM 3-08 MA	SPM 3-08 M	SPM 3-08			74	67	65	61	56	50	43	35	26
SPM 3-09 MA	SPM 3-09 M	SPM 3-09			83	76	73	69	63	57	50	41	29

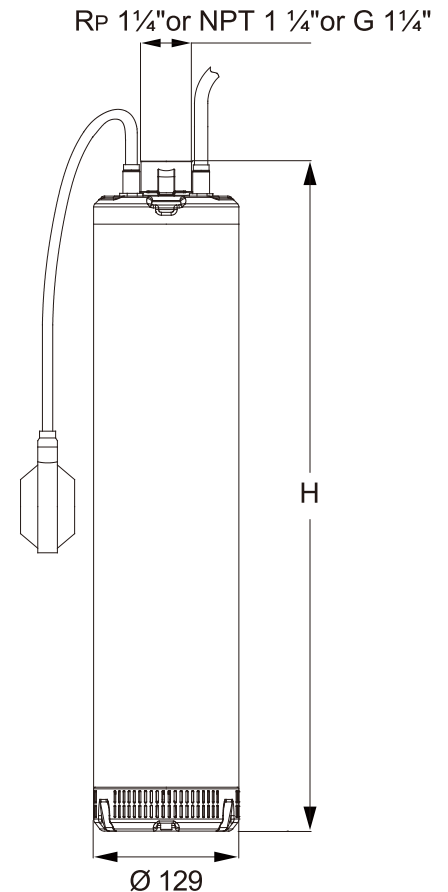
Specifications

Model	P ₁		P ₂		Capacitor		Max.Amp [A]		Head		Flow	
	kW	HP	kW	μF	V	220 - 240V	380 - 415V	Rated (m)	Max. (m)	Rated (m ³ /h)	Max. (m ³ /h)	
Single Phase Auto (With float switch,with control box)												
SPM 3-04 MA	0.71	0.75	0.55	12	450	3.3 - 3.2	-	26	37	3	4.5	
SPM 3-05 MA	0.86	0.75	0.55	12	450	4.1 - 3.7	-	32	47	3	4.5	
SPM 3-06 MA	1.01	0.75	0.55	12	450	4.7 - 4.4	-	37	55	3	4.5	
SPM 3-07 MA	1.13	1.0	0.75	18	400	5.4 - 5.0	-	45	65	3	4.5	
SPM 3-08 MA	1.2	1.0	0.75	18	400	5.8 - 5.2	-	50	74	3	4.5	
SPM 3-09 MA	1.41	1.5	1.1	20	400	6.6 - 6.4	-	57	83	3	4.5	
Single Phase Manual (With control box)												
SPM 3-04 M	0.71	0.75	0.55	12	450	3.3 - 3.2	-	26	37	3	4.5	
SPM 3-05 M	0.86	0.75	0.55	12	450	4.1 - 3.7	-	32	47	3	4.5	
SPM 3-06 M	1.01	0.75	0.55	12	450	4.7 - 4.4	-	37	55	3	4.5	
SPM 3-07 M	1.13	1.0	0.75	18	400	5.4 - 5.0	-	45	65	3	4.5	
SPM 3-08 M	1.2	1.0	0.75	18	400	5.8 - 5.2	-	50	74	3	4.5	
SPM 3-09 M	1.41	1.5	1.1	20	400	6.6 - 6.4	-	57	83	3	4.5	
Three Phase												
SPM 3-04	0.72	0.75	0.55	-	-	2.6 - 3.0	1.5 - 1.4	26	37	3	4.5	
SPM 3-05	0.86	0.75	0.55	-	-	2.8 - 3.2	1.6 - 1.5	32	47	3	4.5	
SPM 3-06	1.0	0.75	0.55	-	-	3.1 - 3.4	1.8 - 1.6	37	55	3	4.5	
SPM 3-07	1.16	1.0	0.75	-	-	4.0 - 4.3	2.3 - 2.4	45	65	3	4.5	
SPM 3-08	1.22	1.0	0.75	-	-	4.1 - 4.4	2.4 - 2.5	50	74	3	4.5	
SPM 3-09	1.42	1.5	1.1	-	-	5.0 - 5.6	2.8 - 3.2	57	83	3	4.5	

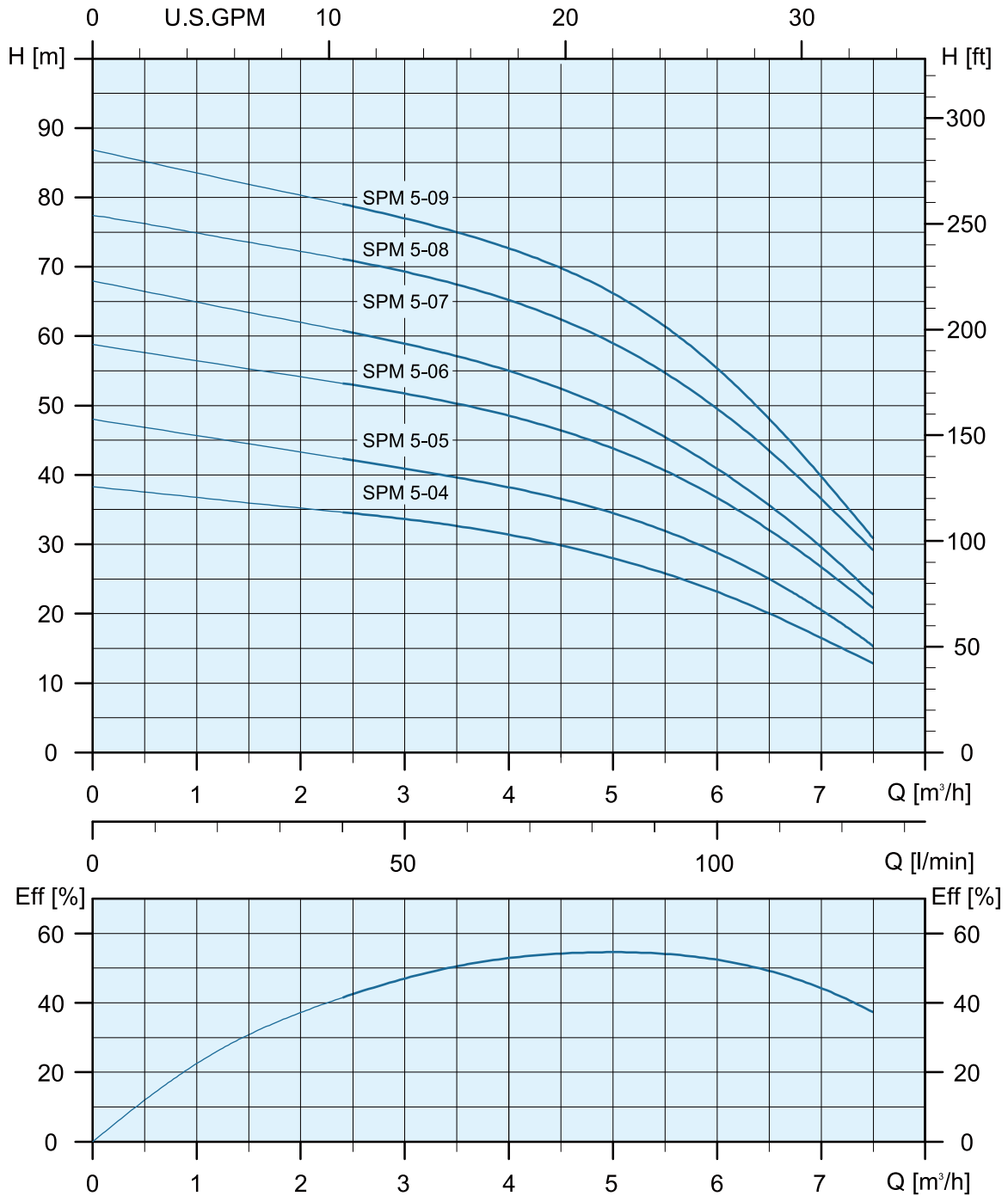
*Maximum values within operating range.

Specifications

Model	H	Cable (H07RN-F)		Solid Passage (mm)	Net Weight (kg)
		m	mm ²		
Single phase Auto (With float switch,with control box)					
SPM 3-04 MA	425	20	4G1.0	2	14.9
SPM 3-05 MA	443	20	4G1.0	2	15.2
SPM 3-06 MA	461	20	4G1.0	2	15.5
SPM 3-07 MA	501	20	4G1.0	2	17.2
SPM 3-08 MA	519	20	4G1.0	2	17.6
SPM 3-09 MA	555	20	4G1.0	2	19.2
Single phase Manual (With control box)					
SPM 3-04 M	425	20	4G1.0	2	14.5
SPM 3-05 M	443	20	4G1.0	2	14.8
SPM 3-06 M	461	20	4G1.0	2	15.1
SPM 3-07 M	501	20	4G1.0	2	16.8
SPM 3-08 M	519	20	4G1.0	2	17.2
SPM 3-09 M	555	20	4G1.0	2	18.8
Three phase					
SPM 3-04	425	20	4G1.0	2	13.8
SPM 3-05	443	20	4G1.0	2	14.1
SPM 3-06	461	20	4G1.0	2	14.4
SPM 3-07	501	20	4G1.0	2	16.1
SPM 3-08	519	20	4G1.0	2	16.4
SPM 3-09	555	20	4G1.0	2	18.0



Performance Curve



Specifications

Pump Type			Q = DELIVERY											
1∅		3∅		m³/h	0	2.4	3.0	3.5	4.0	4.5	5.0	5.5	6.5	7.5
220 - 240V		220 - 240V	380 - 415V	l/min	0	40.0	50.0	58.3	66.7	75.0	83.3	91.7	108.3	125.0
SPM 5-04 MA	SPM 5-04 M	SPM 5-04		H (m)	38	35	34	33	31	30	28	26	20	13
SPM 5-05 MA	SPM 5-05 M	SPM 5-05			48	42	41	40	38	37	34	32	25	15
SPM 5-06 MA	SPM 5-06 M	SPM 5-06			59	53	52	50	49	46	44	41	32	21
SPM 5-07 MA	SPM 5-07 M	SPM 5-07			68	61	59	57	55	52	49	45	36	23
SPM 5-08 MA	SPM 5-08 M	SPM 5-08			77	71	69	67	65	62	59	55	43	29
SPM 5-09 MA	SPM 5-09 M	SPM 5-09			87	79	77	75	73	70	66	61	48	31

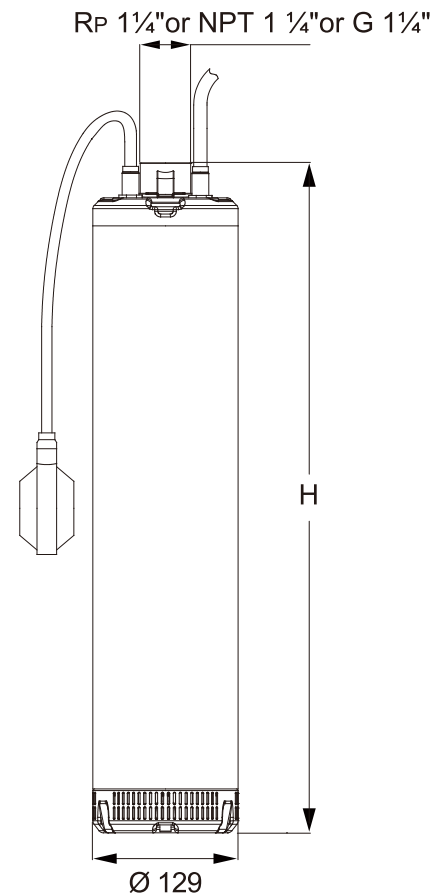
Specifications

Model	P1		P2		Capacitor		Max.Amp [A]		Head		Flow	
	kW	HP	kW	μF	V	220 - 240V	380 - 415V	Rated (m)	Max. (m)	Rated (m ³ /h)	Max. (m ³ /h)	
Single Phase Auto (With float switch,with control box)												
SPM 5-04 MA	1.08	1.0	0.75	18	400	5.1 - 4.8	-	28	38	5	7.5	
SPM 5-05 MA	1.38	1.0	0.75	18	400	6.5 - 6.0	-	34	48	5	7.5	
SPM 5-06 MA	1.66	1.5	1.1	20	400	8.0 - 7.4	-	44	59	5	7.5	
SPM 5-07 MA	1.86	1.5	1.1	20	400	8.9 - 8.3	-	49	68	5	7.5	
SPM 5-08 MA	2.11	2.0	1.5	35	450	9.8 - 9.3	-	59	77	5	7.5	
SPM 5-09 MA	2.37	2.0	1.5	35	450	10.8 - 9.8	-	66	87	5	7.5	
Single Phase Manual (With control box)												
SPM 5-04 M	1.08	1.0	0.75	18	400	5.1 - 4.8	-	28	38	5	7.5	
SPM 5-05 M	1.38	1.0	0.75	18	400	6.5 - 6.0	-	34	48	5	7.5	
SPM 5-06 M	1.66	1.5	1.1	20	400	8.0 - 7.4	-	44	59	5	7.5	
SPM 5-07 M	1.86	1.5	1.1	20	400	8.9 - 8.3	-	49	68	5	7.5	
SPM 5-08 M	2.11	2.0	1.5	35	450	9.8 - 9.3	-	59	77	5	7.5	
SPM 5-09 M	2.37	2.0	1.5	35	450	10.8 - 9.8	-	66	87	5	7.5	
Three Phase												
SPM 5-04	1.12	1.0	0.75	-	-	3.9 - 4.3	2.2 - 2.5	28	38	5	7.5	
SPM 5-05	1.39	1.0	0.75	-	-	4.5 - 4.6	2.5 - 2.7	34	48	5	7.5	
SPM 5-06	1.66	1.5	1.1	-	-	5.5 - 6.0	3.1 - 3.4	44	59	5	7.5	
SPM 5-07	1.81	1.5	1.1	-	-	5.9 - 6.3	3.3 - 3.6	49	68	5	7.5	
SPM 5-08	2.05	2.0	1.5	-	-	6.5 - 6.6	3.7 - 3.8	59	77	5	7.5	
SPM 5-09	2.33	2.0	1.5	-	-	7.0 - 7.1	4.1 - 4.0	66	87	5	7.5	

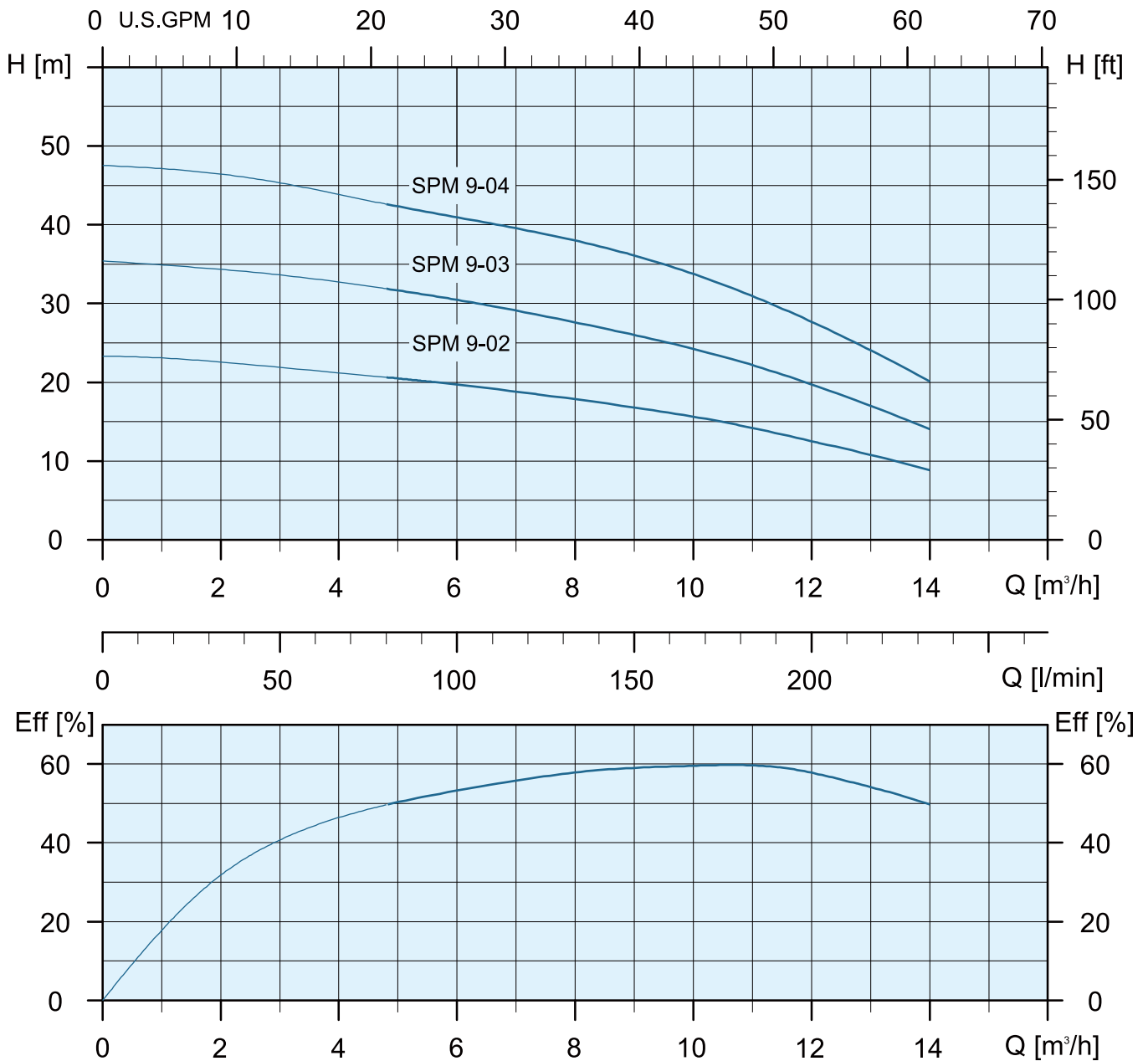
*Maximum values within operating range.

Specifications

Model	H	Cable (H07RN-F)		Solid Passage (mm)	Net Weight (kg)
		m	mm ²		
Single phase Auto (With float switch,with control box)					
SPM 5-04 MA	447	20	4G1.0	2	16.3
SPM 5-05 MA	465	20	4G1.0	2	16.6
SPM 5-06 MA	501	20	4G1.5	2	19.0
SPM 5-07 MA	519	20	4G1.5	2	19.3
SPM 5-08 MA	577	20	4G1.5	2	22.2
SPM 5-09 MA	595	20	4G1.5	2	22.6
Single phase Manual (With control box)					
SPM 5-04 M	447	20	4G1.0	2	15.9
SPM 5-05 M	465	20	4G1.0	2	16.2
SPM 5-06 M	501	20	4G1.5	2	18.6
SPM 5-07 M	519	20	4G1.5	2	18.9
SPM 5-08 M	577	20	4G1.5	2	21.8
SPM 5-09 M	595	20	4G1.5	2	22.2
Three phase					
SPM 5-04	447	20	4G1.0	2	15.1
SPM 5-05	465	20	4G1.0	2	15.4
SPM 5-06	501	20	4G1.0	2	17.0
SPM 5-07	519	20	4G1.0	2	17.4
SPM 5-08	577	20	4G1.0	2	20.3
SPM 5-09	595	20	4G1.0	2	20.6



Performance Curve



Specifications

Pump Type			Q = DELIVERY											
1∅		3∅		m³/h	0	4.8	6.0	8.0	9.0	10.0	11.0	12.0	13.0	14.0
220 - 240V		220 - 240V	380 - 415V	l/min	0	80.0	100.0	133.3	150.0	166.7	183.3	200.0	216.7	233.3
SPM 9-02 MA	SPM 9-02 M	SPM 9-02		H (m)	23	21	20	18	17	16	14	13	11	9
SPM 9-03 MA	SPM 9-03 M	SPM 9-03			35	32	30	28	26	24	22	20	17	14
SPM 9-04 MA	SPM 9-04 M	SPM 9-04			48	43	41	38	36	34	31	28	24	20

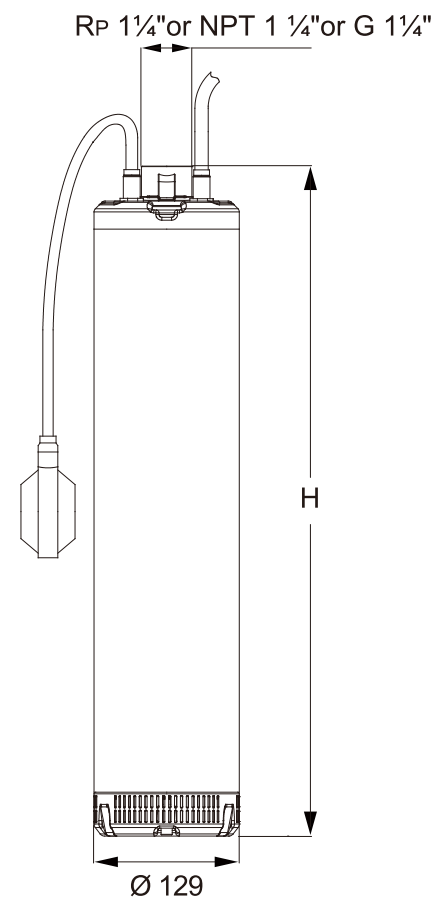
Specifications

Model	P1		P2		Capacitor		Max.Amp [A]		Head		Flow	
	kW	HP	kW	μF	V	220 - 240V	380 - 415V	Rated (m)	Max. (m)	Rated (m ³ /h)	Max. (m ³ /h)	
Single Phase Auto (With float switch,with control box)												
SPM 9-02 MA	1.16	1.0	0.75	18	400	5.3 - 5.2	-	16	23	10	14	
SPM 9-03 MA	1.62	1.5	1.1	20	400	7.7 - 7.3	-	24	35	10	14	
SPM 9-04 MA	2.12	2.0	1.5	35	450	9.9 - 9.2	-	34	48	10	14	
Single Phase Manual (With control box)												
SPM 9-02 M	1.16	1.0	0.75	18	400	5.3 - 5.2	-	16	23	10	14	
SPM 9-03 M	1.62	1.5	1.1	20	400	7.7 - 7.3	-	24	35	10	14	
SPM 9-04 M	2.12	2.0	1.5	35	450	9.9 - 9.2	-	34	48	10	14	
Three Phase												
SPM 9-02	1.17	1.0	0.75	-	-	4.0 - 4.4	2.3 - 2.5	16	23	10	14	
SPM 9-03	1.58	1.5	1.1	-	-	5.3 - 5.7	3.0 - 3.3	24	35	10	14	
SPM 9-04	2.06	2.0	1.5	-	-	6.5 - 6.6	3.8 - 3.7	34	48	10	14	

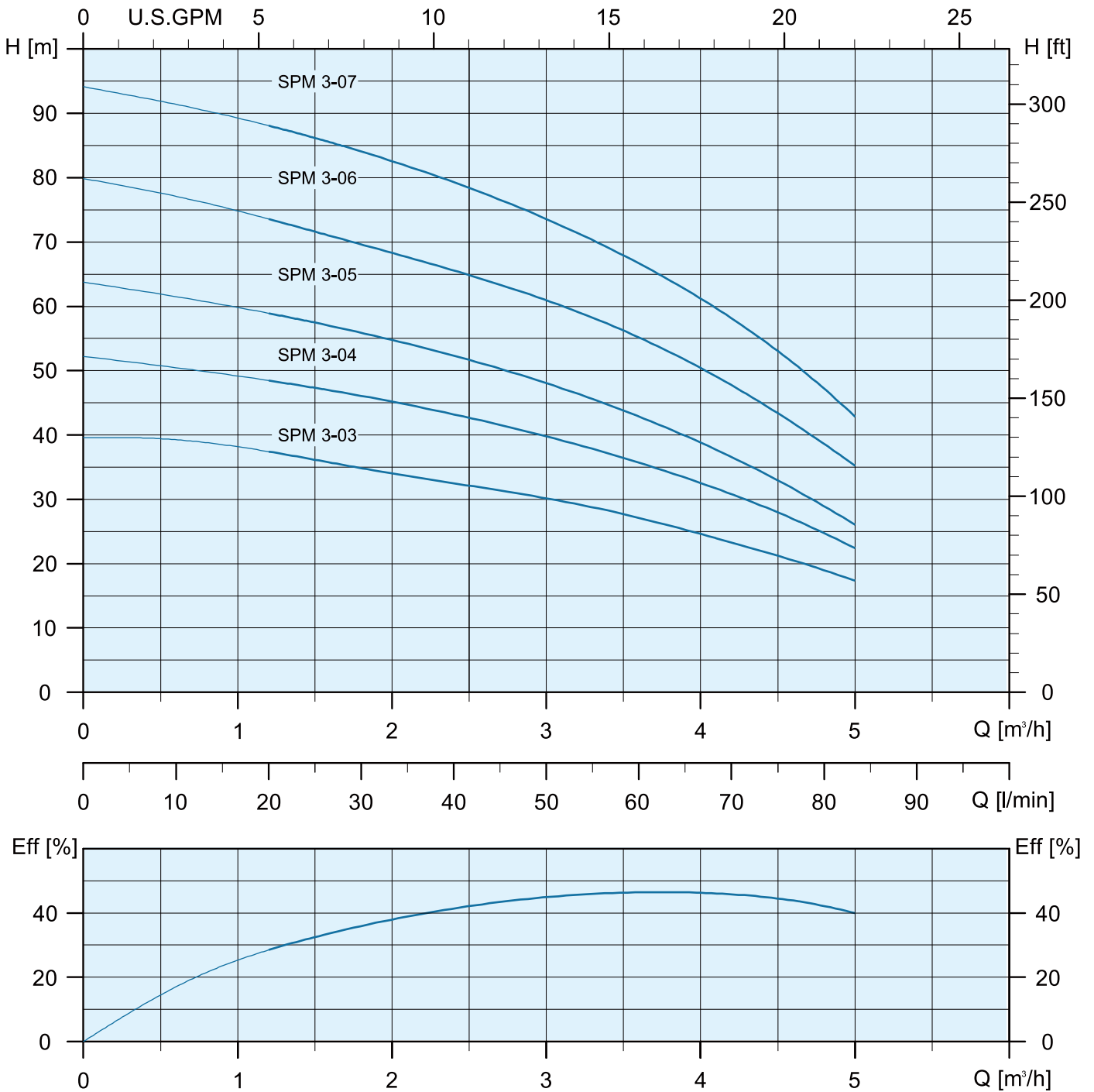
*Maximum values within operating range.

Specifications

Model	H	Cable (H07RN-F)		Solid Passage (mm)	Net Weight (kg)
		m	mm ²		
Single phase Auto (With float switch,with control box)					
SPM 9-02 MA	428	20	4G1.0	2	15.9
SPM 9-03 MA	478	20	4G1.5	2	18.6
SPM 9-04 MA	548	20	4G1.5	2	21.6
Single phase Manual (With control box)					
SPM 9-02 M	428	20	4G1.0	2	15.5
SPM 9-03 M	478	20	4G1.5	2	18.2
SPM 9-04 M	548	20	4G1.5	2	21.2
Three phase					
SPM 9-02	428	20	4G1.0	2	14.7
SPM 9-03	478	20	4G1.0	2	16.6
SPM 9-04	548	20	4G1.0	2	19.7



Performance Curve



Specifications

Pump Type			Q = DELIVERY											
1∅		3∅		m³/h	0	1.2	1.5	2.0	2.5	3.0	3.6	4.0	4.5	5.0
220 - 240V		220 - 255V	380 - 440V	l/min	0	20.0	25.0	33.3	41.7	50.0	60.0	66.7	75.0	83.3
SPM 3-03 MA	SPM 3-03 M	SPM 3-03		H (m)	40	37	36	34	32	30	27	25	21	17
SPM 3-04 MA	SPM 3-04 M	SPM 3-04			52	48	47	45	43	40	36	33	28	22
SPM 3-05 MA	SPM 3-05 M	SPM 3-05			64	59	57	55	52	48	43	39	33	26
SPM 3-06 MA	SPM 3-06 M	SPM 3-06			80	74	72	68	65	61	55	50	43	35
SPM 3-07 MA	SPM 3-07 M	SPM 3-07			94	88	86	83	78	74	67	61	53	43

Specifications

Model	P1		P2		Capacitor		Max.Amp [A]		Head		Flow	
	kW	HP	kW	μF	V	220 - 240V	380 - 440V	Rated (m)	Max. (m)	Rated (m ³ /h)	Max. (m ³ /h)	
Single Phase Auto (With float switch,with control box)												
SPM 3-03 MA	1.06	0.75	0.55	40	300	5.0-4.8	-	27	40	3.6	5	
SPM 3-04 MA	1.25	1.0	0.75	50	250	6.1-5.6	-	36	52	3.6	5	
SPM 3-05 MA	1.46	1.0	0.75	50	250	7.0-6.6	-	43	64	3.6	5	
SPM 3-06 MA	1.65	1.5	1.1	25	450	8.0-8.5	-	55	80	3.6	5	
SPM 3-07 MA	1.96	2.0	1.5	35	450	9.1-8.7	-	67	94	3.6	5	
Single Phase Manual (With control box)												
SPM 3-03 M	1.06	0.75	0.55	40	300	5.0-4.8	-	27	40	3.6	5	
SPM 3-04 M	1.25	1.0	0.75	50	250	6.1-5.6	-	36	52	3.6	5	
SPM 3-05 M	1.46	1.0	0.75	50	250	7.0-6.6	-	43	64	3.6	5	
SPM 3-06 M	1.65	1.5	1.1	25	450	8.0-8.5	-	55	80	3.6	5	
SPM 3-07 M	1.96	2.0	1.5	35	450	9.1-8.7	-	67	94	3.6	5	

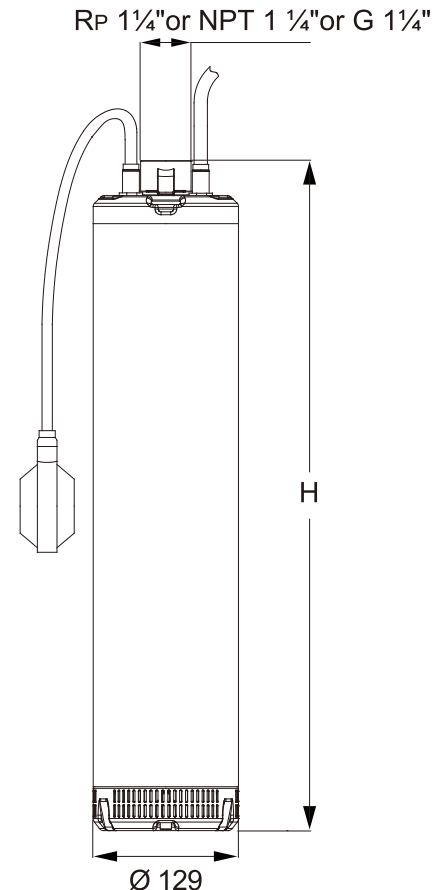
Model	kW	HP	kW	μF	V	Three Phase		Rated (m)	Max. (m)	Rated (m ³ /h)	Max. (m ³ /h)
						220 - 255V	380 - 440V				
Three Phase											
SPM 3-03	0.86	0.75	0.55	-	-	2.8-2.7	1.6-1.5	27	40	3.6	5
SPM 3-04	1.02	1.0	0.75	-	-	3.3-3.1	1.9-1.8	36	52	3.6	5
SPM 3-05	1.27	1.0	0.75	-	-	3.9-3.7	2.3-2.1	43	64	3.6	5
SPM 3-06	1.48	1.5	1.1	-	-	4.7-4.5	2.8-2.6	55	80	3.6	5
SPM 3-07	1.77	2.0	1.5	-	-	5.6-5.4	3.3-3.0	67	94	3.6	5

*Maximum values within operating range.

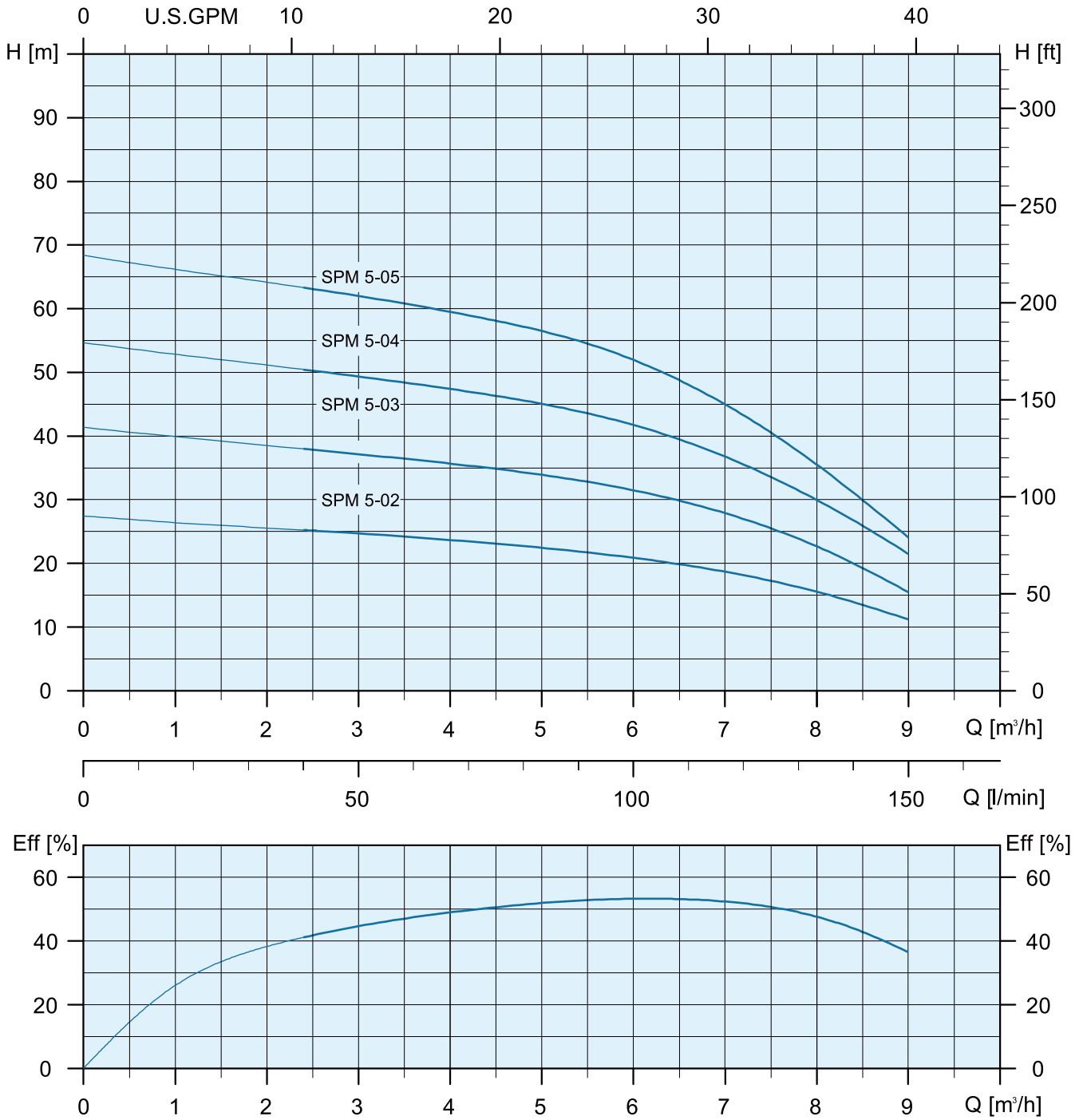
Specifications

Model	H	Cable SJTW(220-240V)		Solid Passage (mm)	Net Weight (kg)
		m	AWG		
Single phase Auto (With float switch,with control box)					
SPM 3-03 MA	409	20	16x4C	2	14.3
SPM 3-04 MA	447	20	16x4C	2	16.0
SPM 3-05 MA	465	20	16x4C	2	16.3
SPM 3-06 MA	501	20	14x4C	2	18.9
SPM 3-07 MA	559	20	14x4C	2	21.8
Single phase Manual (With control box)					
SPM 3-03 M	409	20	16x4C	2	13.9
SPM 3-04 M	447	20	16x4C	2	15.6
SPM 3-05 M	465	20	16x4C	2	15.9
SPM 3-06 M	501	20	14x4C	2	18.5
SPM 3-07 M	559	20	14x4C	2	21.4

Model	H	Cable SJTW (220-255V) / STOW (380-440V)		Solid Passage (mm)	Net Weight (kg)
		m	AWG		
Three phase					
SPM 3-03	409	20	16x4C	2	13.1
SPM 3-04	447	20	16x4C	2	14.9
SPM 3-05	465	20	16x4C	2	15.2
SPM 3-06	501	20	16x4C	2	16.8
SPM 3-07	559	20	16x4C	2	19.8



Performance Curve



Specifications

Pump Type			Q = DELIVERY											
1∅		3∅		m³/h	0	2.4	3.0	3.5	4.0	5.0	6.0	7.0	8.0	9.0
220 - 240V		220 - 255V	380 - 440V	l/min	0	40.0	50.0	58.3	66.7	83.3	100.0	116.7	133.3	150.0
SPM 5-02 MA	SPM 5-02 M	SPM 5-02		H (m)	27	25	25	24	24	22	21	19	16	11
SPM 5-03 MA	SPM 5-03 M	SPM 5-03			41	38	37	36	36	34	31	28	23	15
SPM 5-04 MA	SPM 5-04 M	SPM 5-04			55	50	49	48	47	45	42	37	30	21
SPM 5-05 MA	SPM 5-05 M	SPM 5-05			68	63	62	61	60	56	52	45	36	24

Specifications

Model	P1		P2		Capacitor		Max.Amp [A]		Head		Flow	
	kW	HP	kW	μF	V	220 - 240V	380 - 440V	Rated (m)	Max. (m)	Rated (m ³ /h)	Max. (m ³ /h)	
Single Phase Auto (With float switch,with control box)												
SPM 5-02 MA	1.21	1.0	0.75	50	250	5.9-5.5	-	21	27	6	9	
SPM 5-03 MA	1.58	1.5	1.1	25	450	7.5-8.3	-	31	41	6	9	
SPM 5-04 MA	1.96	1.5	1.1	25	450	9.4-9.7	-	42	55	6	9	
SPM 5-05 MA	2.33	2.0	1.5	35	450	10.9-10.3	-	52	68	6	9	
Single Phase Manual (With control box)												
SPM 5-02 M	1.21	1.0	0.75	50	250	5.9-5.5	-	21	27	6	9	
SPM 5-03 M	1.58	1.5	1.1	25	450	7.5-8.3	-	31	41	6	9	
SPM 5-04 M	1.96	1.5	1.1	25	450	9.4-9.7	-	42	55	6	9	
SPM 5-05 M	2.33	2.0	1.5	35	450	10.9-10.3	-	52	68	6	9	

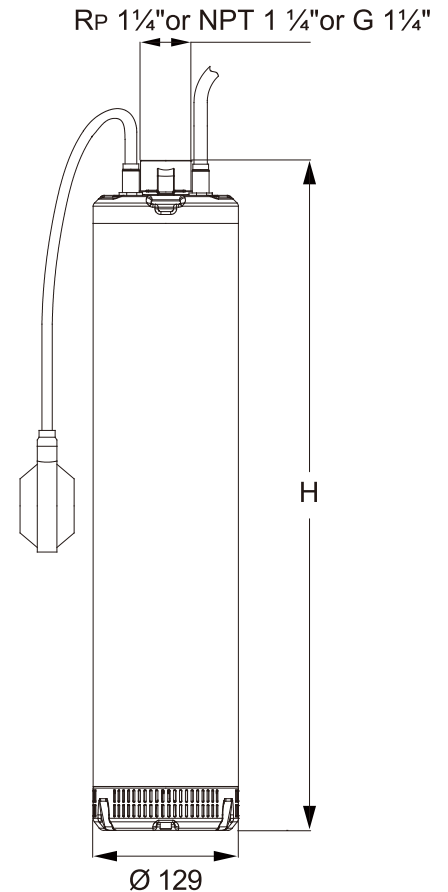
Model	kW	HP	kW	μF	V	220 - 255V	380 - 440V	Rated (m)	Max. (m)	Rated (m ³ /h)	Max. (m ³ /h)
Three Phase											
SPM 5-02	0.99	1.0	0.75	-	-	3.2-3.1	1.9-1.8	21	27	6	9
SPM 5-03	1.38	1.5	1.1	-	-	4.5-4.4	2.6-2.5	31	41	6	9
SPM 5-04	1.79	1.5	1.1	-	-	5.5-5.2	3.3-3.1	42	55	6	9
SPM 5-05	2.17	2.0	1.5	-	-	6.7-6.3	3.9-3.5	52	68	6	9

*Maximum values within operating range.

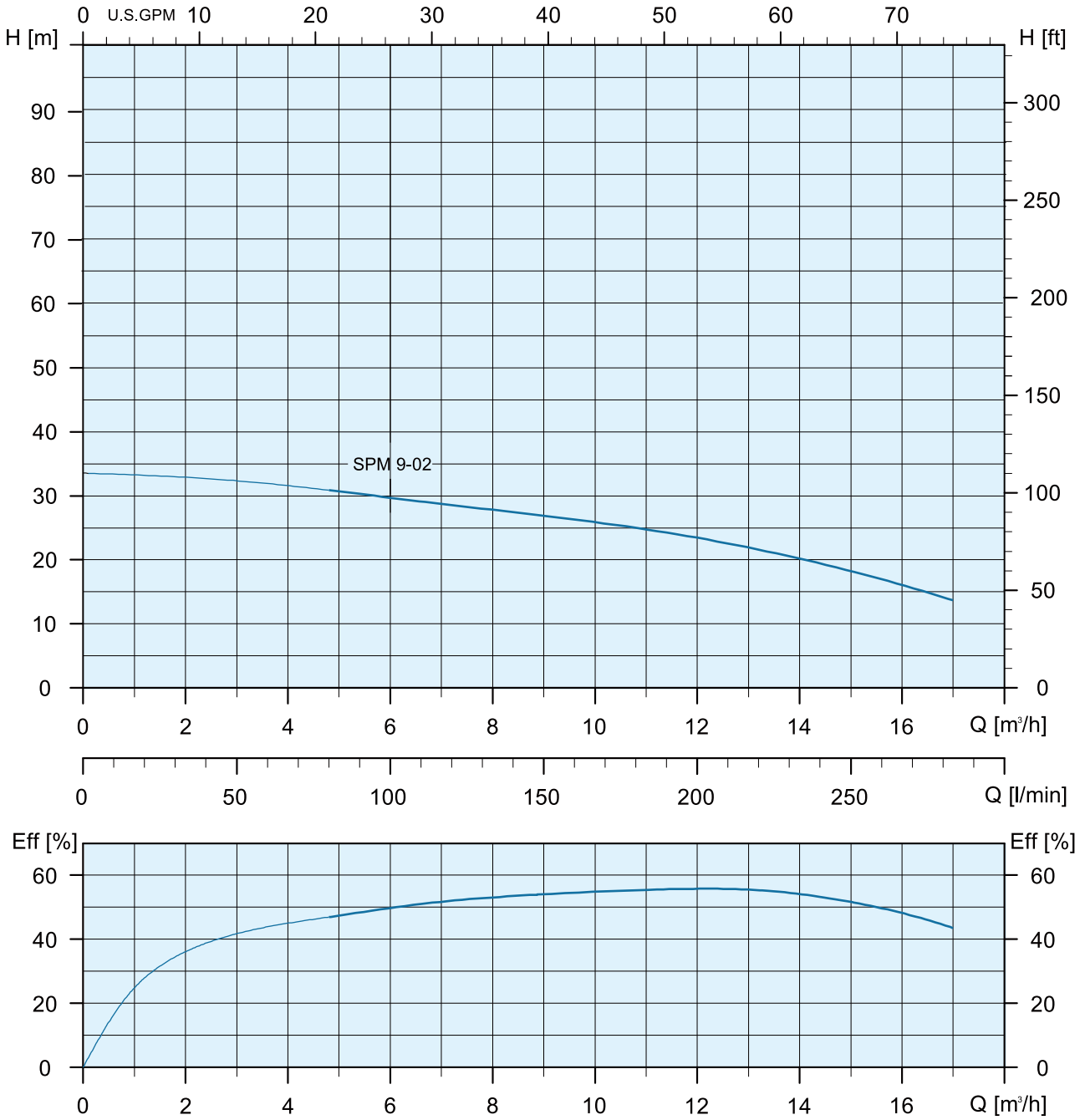
Specifications

Model	H	Cable SJTW(220-240V)		Solid Passage (mm)	Net Weight (kg)
		m	AWG		
Single phase Auto (With float switch,with control box)					
SPM 5-02 MA	409	20	16x4C	2	15.4
SPM 5-03 MA	447	20	14x4C	2	18.0
SPM 5-04 MA	465	20	14x4C	2	18.3
SPM 5-05 MA	523	20	14x4C	2	21.2
Single phase Manual (With control box)					
SPM 5-02 M	409	20	16x4C	2	15.0
SPM 5-03 M	447	20	14x4C	2	17.6
SPM 5-04 M	465	20	14x4C	2	17.9
SPM 5-05 M	523	20	14x4C	2	20.8

Model	H	Cable SJTW (220-255V) / STOW (380-440V)		Solid Passage (mm)	Net Weight (kg)
		m	AWG		
Three phase					
SPM 5-02	409	20	16x4C	2	14.3
SPM 5-03	447	20	16x4C	2	15.9
SPM 5-04	465	20	16x4C	2	16.2
SPM 5-05	523	20	16x4C	2	19.2



Performance Curve



Specifications

Pump Type			Q = DELIVERY										
1∅	3∅		m³/h	0	4.8	6.0	8.0	10.0	12.0	14.0	15.0	16.0	17.0
220 - 240V	220 - 255V	380 - 440V	l/min	0	80.0	100.0	133.3	166.7	200.0	233.3	250.0	266.7	283.3
SPM 9-02 MA	SPM 9-02 M	SPM 9-02	H (m)	34	31	30	28	26	23	20	18	16	14

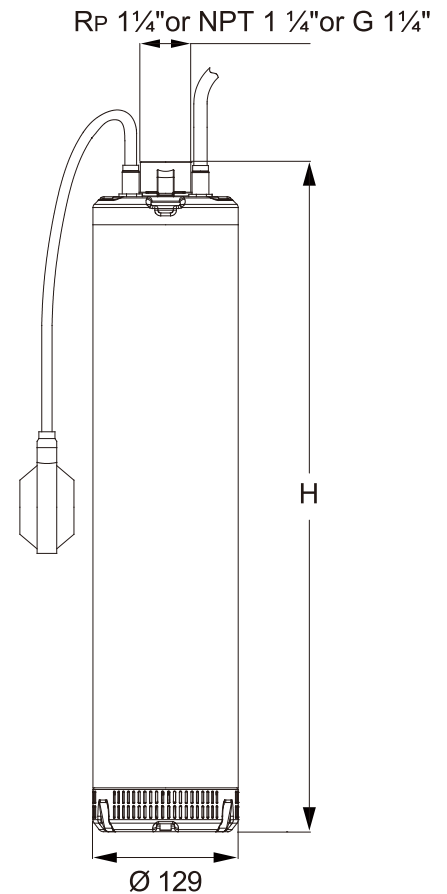
Specifications

Model	P1		P2		Capacitor		Max.Amp [A]		Head		Flow	
	kW	HP	kW	μF	V	220 - 240V	380 - 440V	Rated (m)	Max. (m)	Rated (m ³ /h)	Max. (m ³ /h)	
Single Phase Auto (With float switch,with control box)												
SPM 9-02 MA	2.05	2.0	1.5	35	450	9.6-9.0	-	23	34	12	17	
Single Phase Manual (With control box)												
SPM 9-02 M	2.05	2.0	1.5	35	450	9.6-9.0	-	23	34	12	17	
Model	kW	HP	kW	μF	V	220 - 255V	380 - 440V	Rated (m)	Max. (m)	Rated (m ³ /h)	Max. (m ³ /h)	
Three Phase												
SPM 9-02	1.84	2.0	1.5	-	-	5.8-5.5	3.4-3.1	23	34	12	17	

*Maximum values within operating range.

Specifications

Model	H	Cable SJTW(220-240V)		Solid Passage (mm)	Net Weight (kg)
		m	AWG		
Single phase Auto (With float switch,with control box)					
SPM 9-02 MA	488	20	14x4C	2	20.5
Single phase Manual (With control box)					
SPM 9-02 M	488	20	14x4C	2	20.1
Model	H	Cable SJTW (220-255V) / STOW (380-440V)		Solid Passage (mm)	Net Weight (kg)
		m	AWG		
Three phase					
SPM 9-02	488	20	16x4C	2	18.5





 **STAIRS**

No. 3-8, Sanchial Tsun, Lutsao Hsiang, Chiayi County, Taiwan
Tel :+886 5 3750488 Fax:+886 5 3752330
www.stairs.com.tw E-mail:stairs@stairs.com.tw

1110829